

# CHLOE 5 Piece Dining Set - WHITE

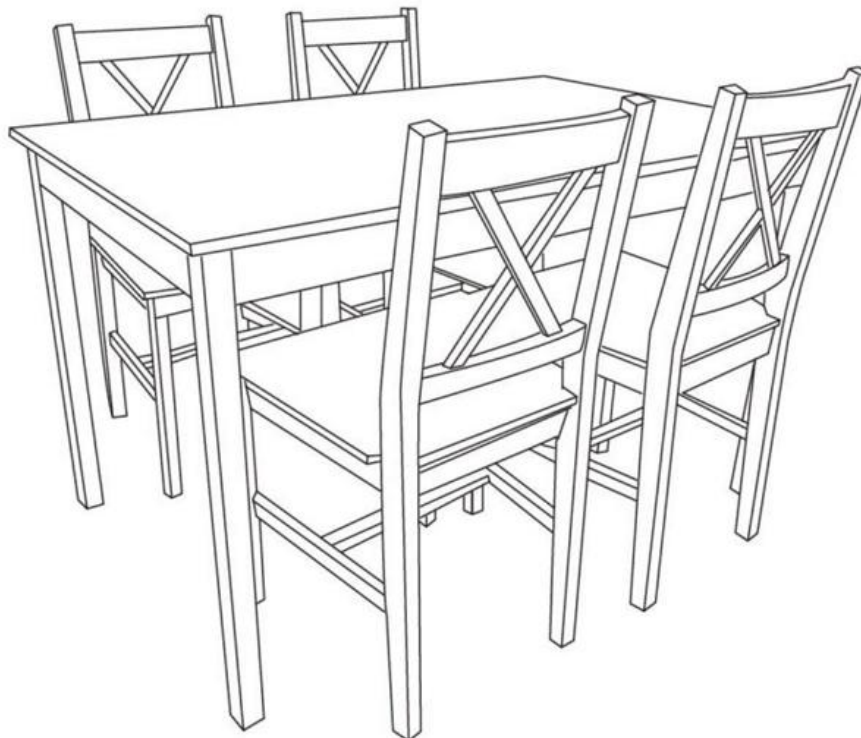
Code: 23114

## Assembly Instructions

Thank you for your purchase.

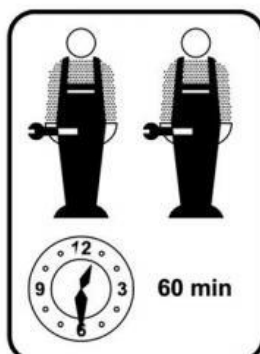
Please follow the instructions below for correct assembly.

- Quicker assembly, we recommend the use of a power drill on a low-speed setting.
- We strongly recommend that the product is assembled on a flat and smooth surface and keep on the same horizontal line, otherwise, there will be a phenomenon of screw dislocation and cannot be installed.

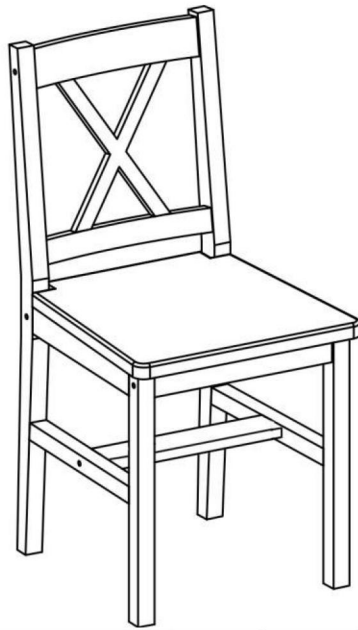


READ THE ASSEMBLY INSTRUCTIONS CAREFULLY. IDENTIFY THE ELEMENTS CONSTITUING YOUR PIECE OF FURNITURE. GROUP AND CHECK THE HARDWARE FITTINGS. GET THE TOOLS NEEDED. CLEAR SPACE TO WORK. PROCEED TO ASSEMBLE

NEVER FORCE THE FITTINGS. TIGHTEN THE SCREW AFTER USING FOR SOMETIME. KEEP YOUR ASSEMBLY INSTRUCTIONS, IT COULD HELP FOR BETTER COMMUNICATION WITH YOUR STORE. IN THE EVENT OF QUERY.

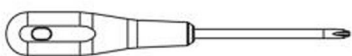


## HARDWARE



ITEM	PHOTO	PCS	ITEM	PHOTO	PCS
1		4PCS	7		4PCS
2		4PCS	A		48PCS
3		4PCS	B		32PCS
4		4PCS	C		16PCS
5		4PCS	D		1PC
6		4PCS			

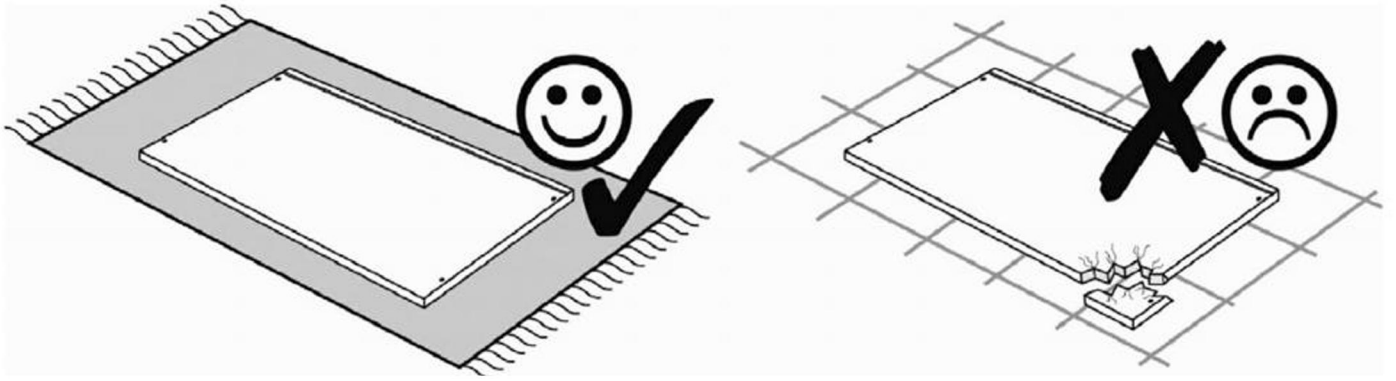
## TOOLS



**Ruler** - Use this ruler to help correctly identify the screws

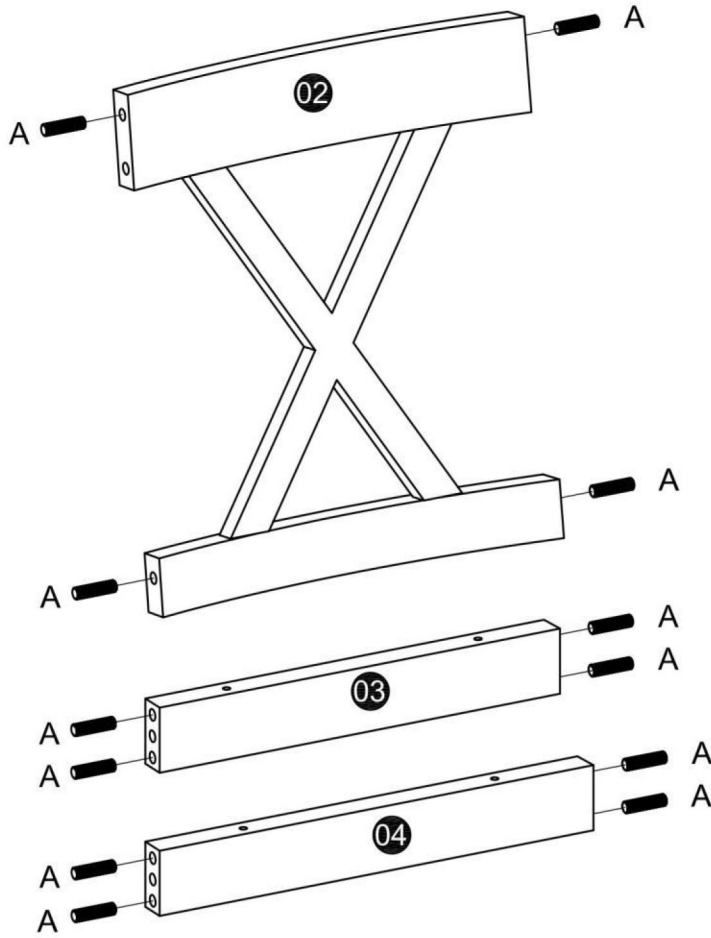
0 5 10 15 20 25 30 35 40 45 50 55 60 65 70 75 80 85 90 95 100 105 110 115 120 125 130 135 140 145 150 155 160 165 170





01

4X

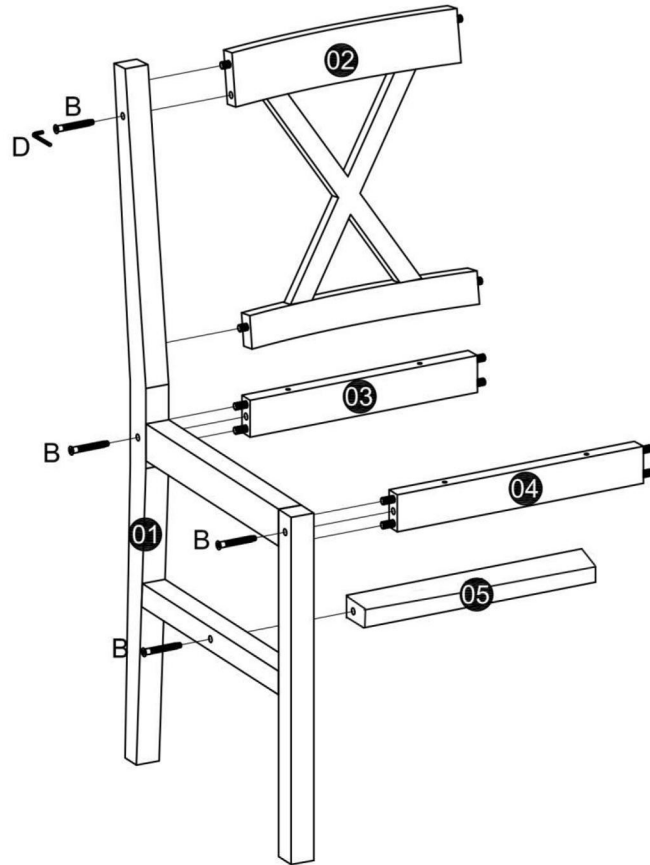


A x48



02

4X



B x 16

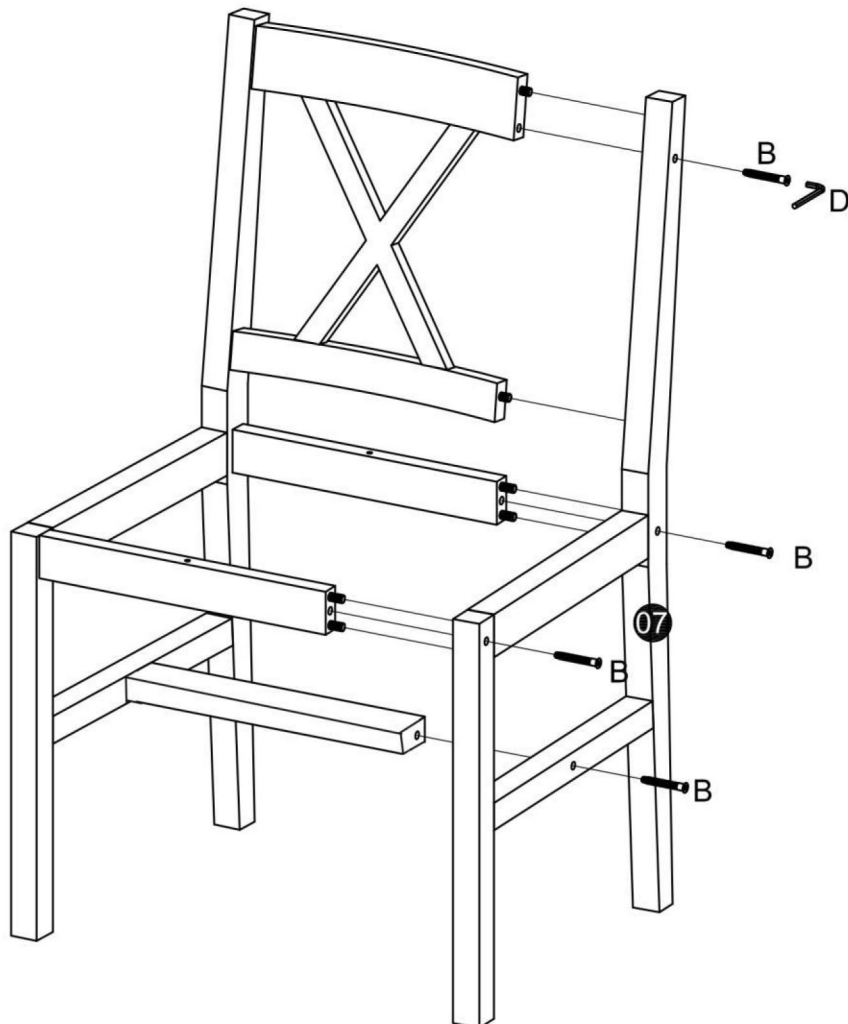


D x 1



03

4X




B x 16



D x 1

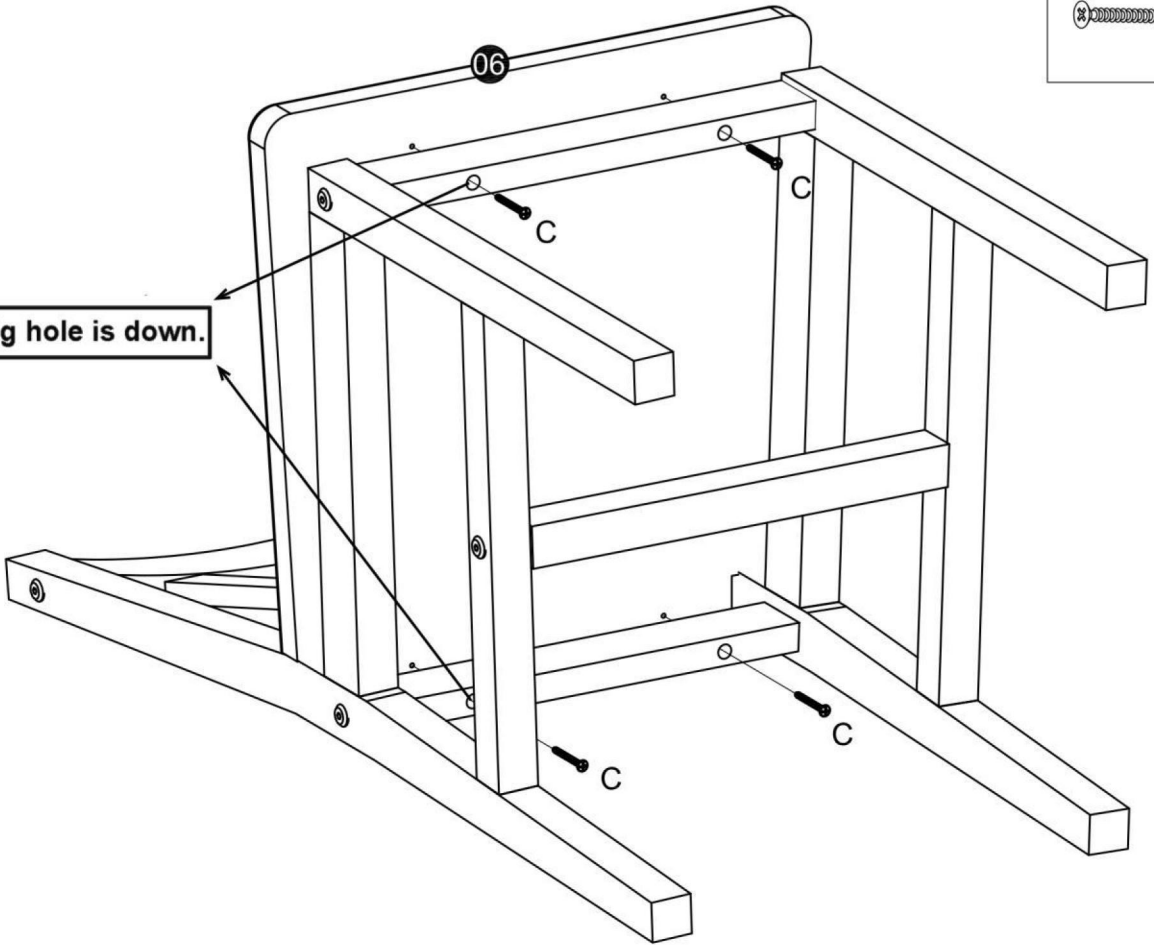


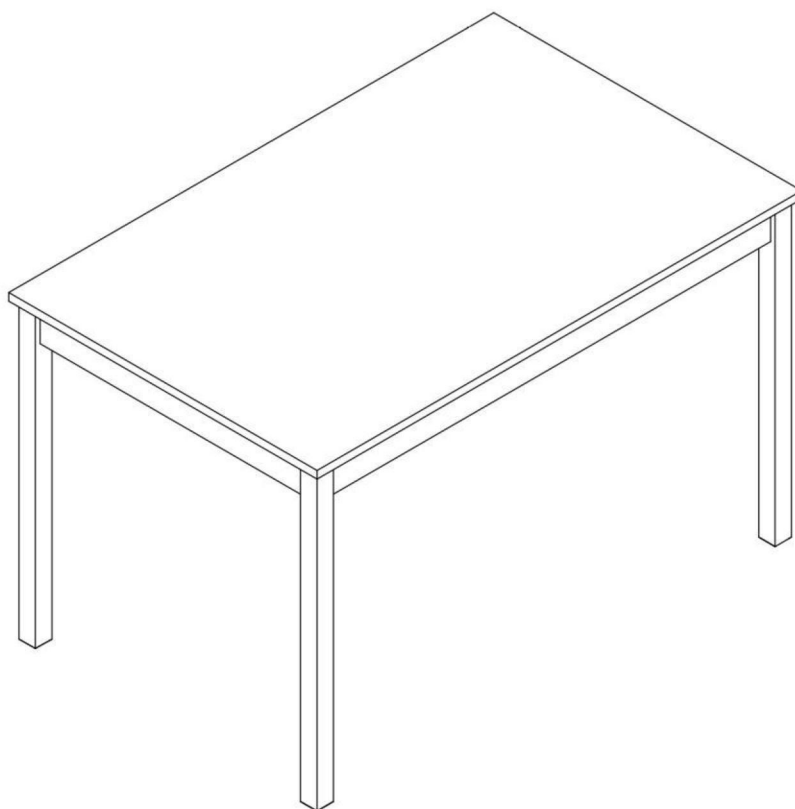
04

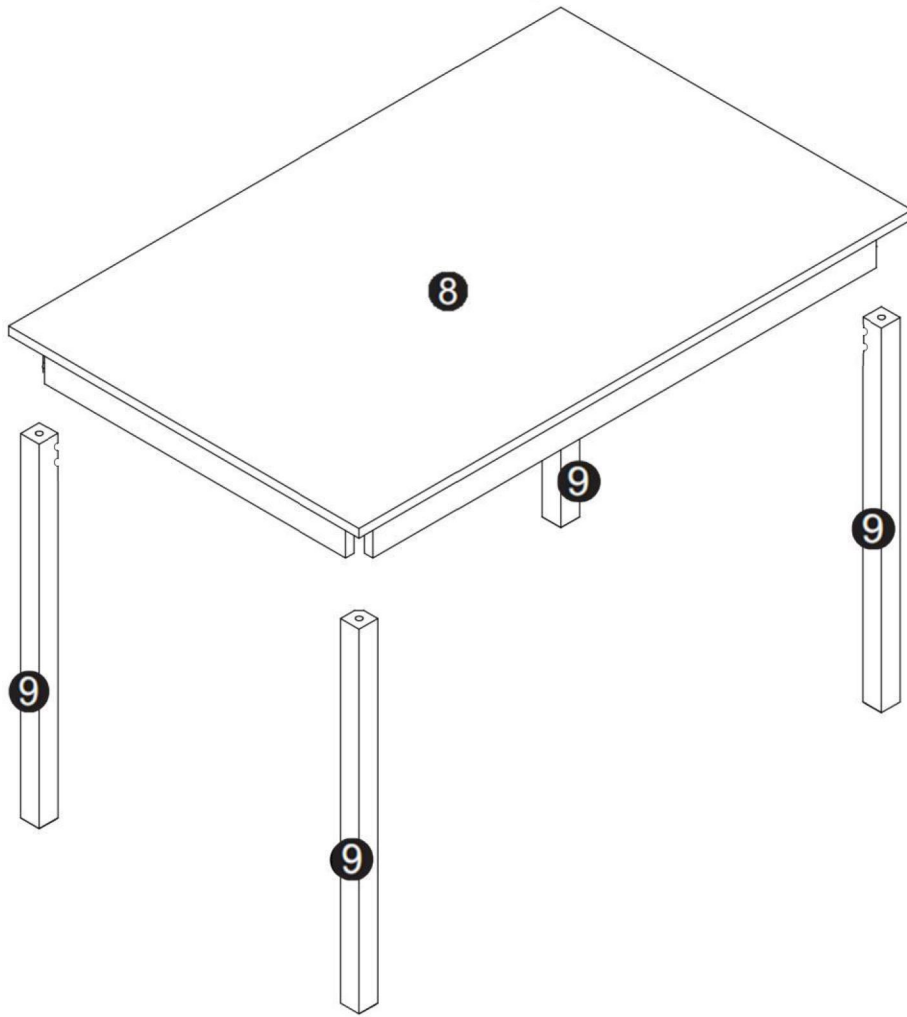
C x 16  







Pls note: The big hole is down.

4X

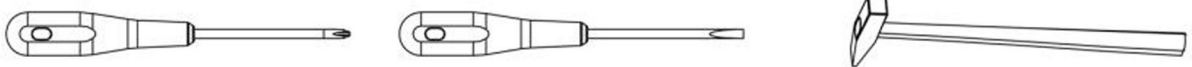






<p>E x8</p>  <p>M8x60mm</p>	<p>F x4</p> 	<p>G x8</p> 	<p>H x8</p> 	<p>I x1</p> 
---	---	---	---	---

**TOOLS**

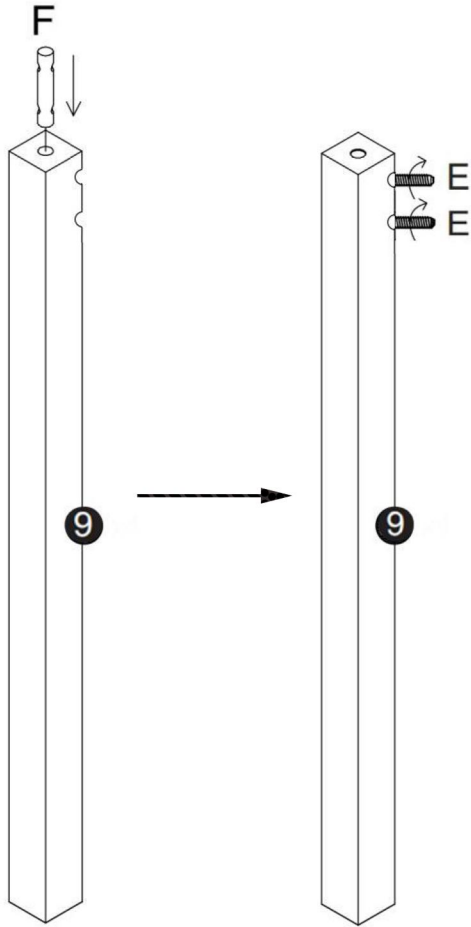




**Ruler** - Use this ruler to help correctly identify the screws

0 5 10 15 20 25 30 35 40 45 50 55 60 65 70 75 80 85 90 95 100 105 110 115 120 125 130 135 140 145 150 155 160 165 170

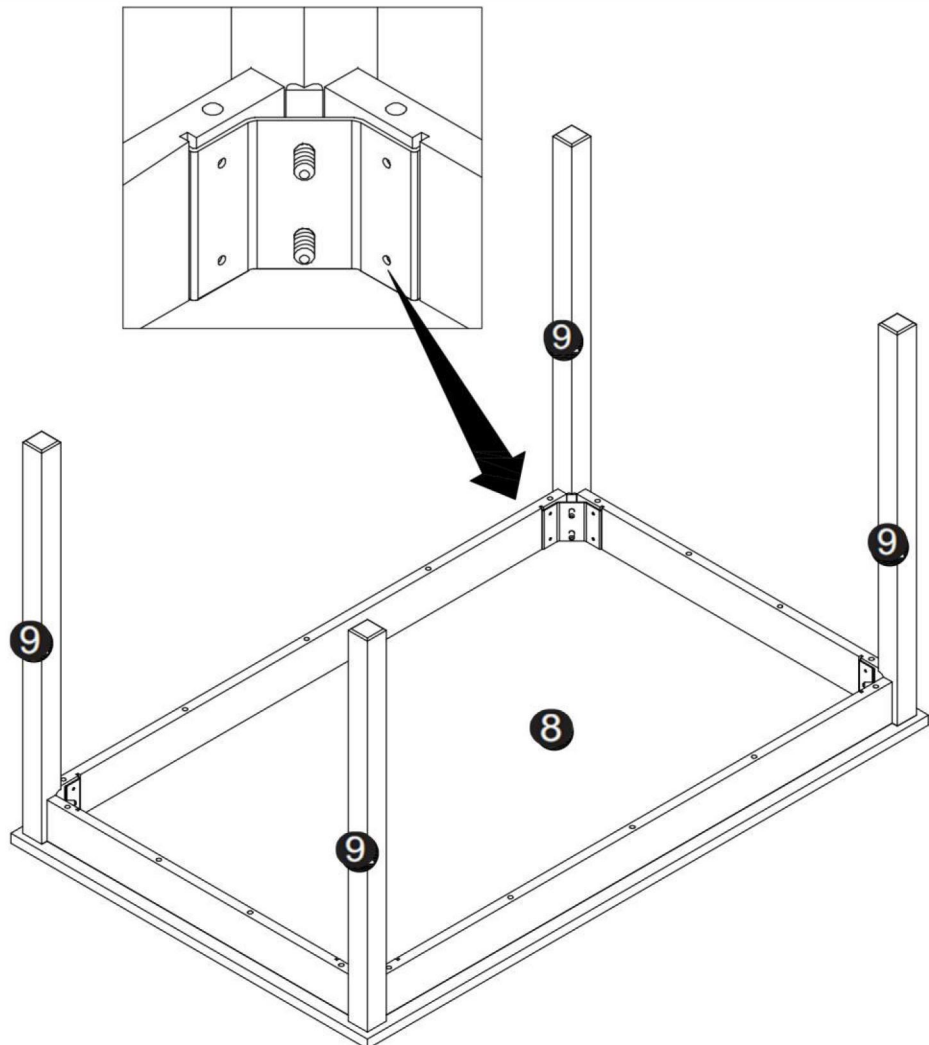
01

4X



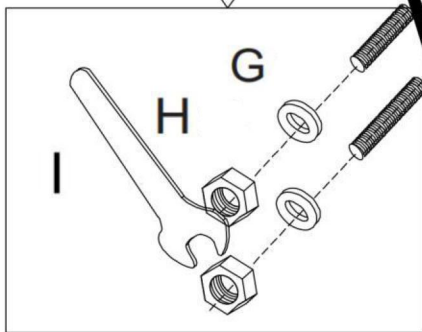
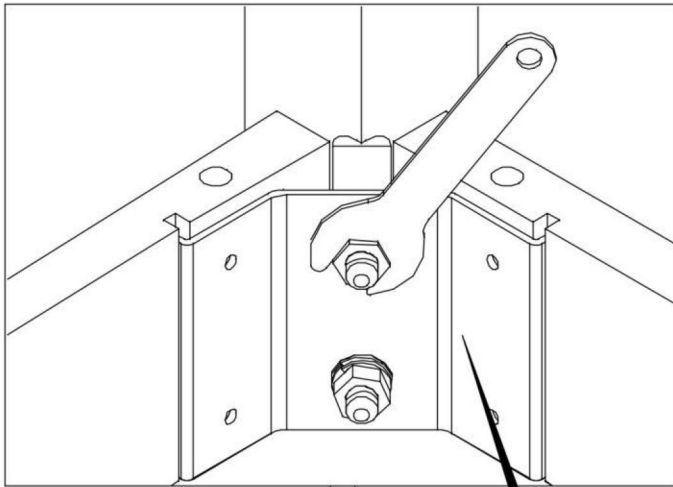
E x8

M8x60mm
F x4


02





03



G x8



H x8



I x1

