

# CASTOR Single Wooden Bed Frame - WHITE

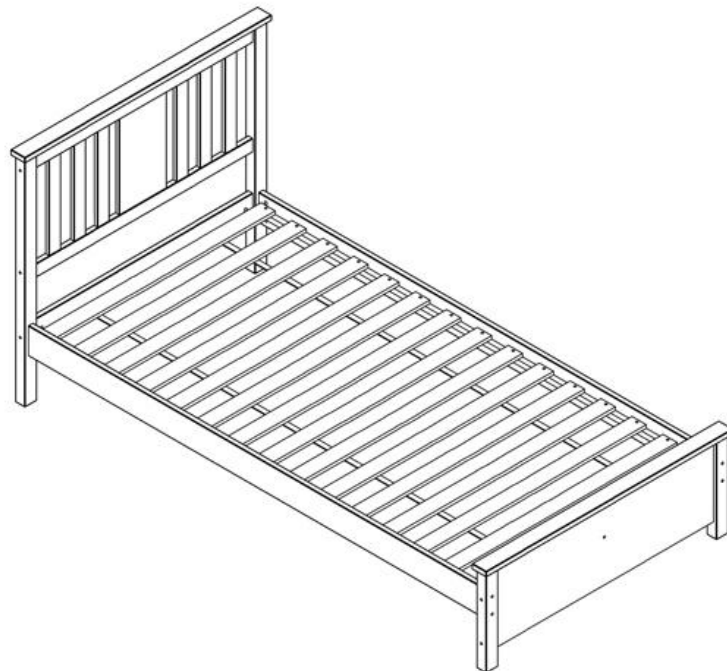
Code: 23103

## Assembly Instructions

Thank you for your purchase.

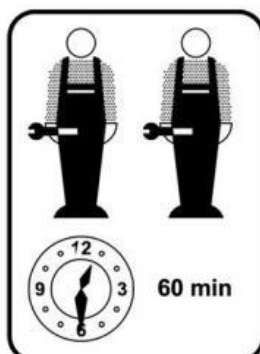
Please follow the instructions below for correct assembly.

- Quicker assembly, we recommend the use of a power drill on a low-speed setting.
- We strongly recommend that the product is assembled on a flat and smooth surface and keep on the same horizontal line, otherwise, there will be a phenomenon of screw dislocation and cannot be installed.

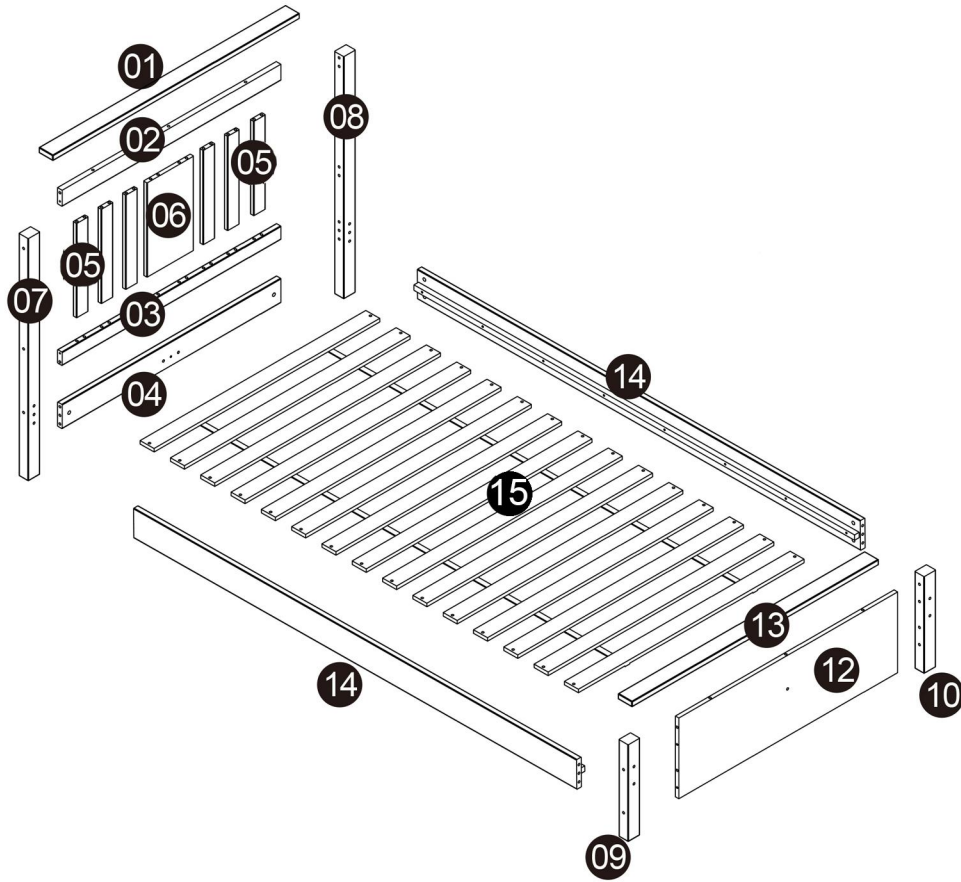


READ THE ASSEMBLY INSTRUCTIONS CAREFULLY. IDENTIFY THE ELEMENTS CONSTITUING YOUR PIECE OF FURNITURE. GROUP AND CHECK THE HARDWARE FITTINGS. GET THE TOOLS NEEDED. CLEAR SPACE TO WORK. PROCEED TO ASSEMBLE

NEVER FORCE THE FITTINGS. TIGHTEN THE SCREW AFTER USING FOR SOMETIME. KEEP YOUR ASSEMBLY INSTRUCTIONS, IT COULD HELP FOR BETTER COMMUNICATION WITH YOUR STORE. IN THE EVENT OF QUERY.

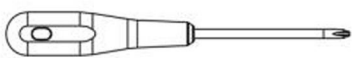


## HARDWARE



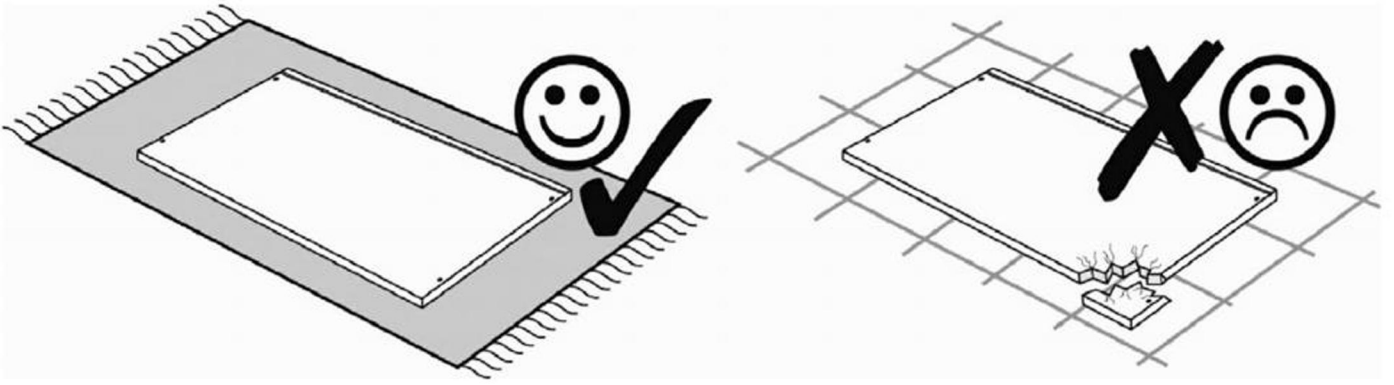
<p>A x52</p> <p>Ø8x30mm</p>	<p>B x2</p>	<p>C x2</p> <p>Ø15x11mm</p>	<p>D x1</p>	<p>E x30</p> <p>Ø4x30mm</p>
<p>F x2</p> <p>M6x70mm</p>	<p>H x10</p> <p>M6x90mm</p>	<p>J x8</p> <p>Ø6x90mm</p>	<p>K x10</p>	

## TOOLS

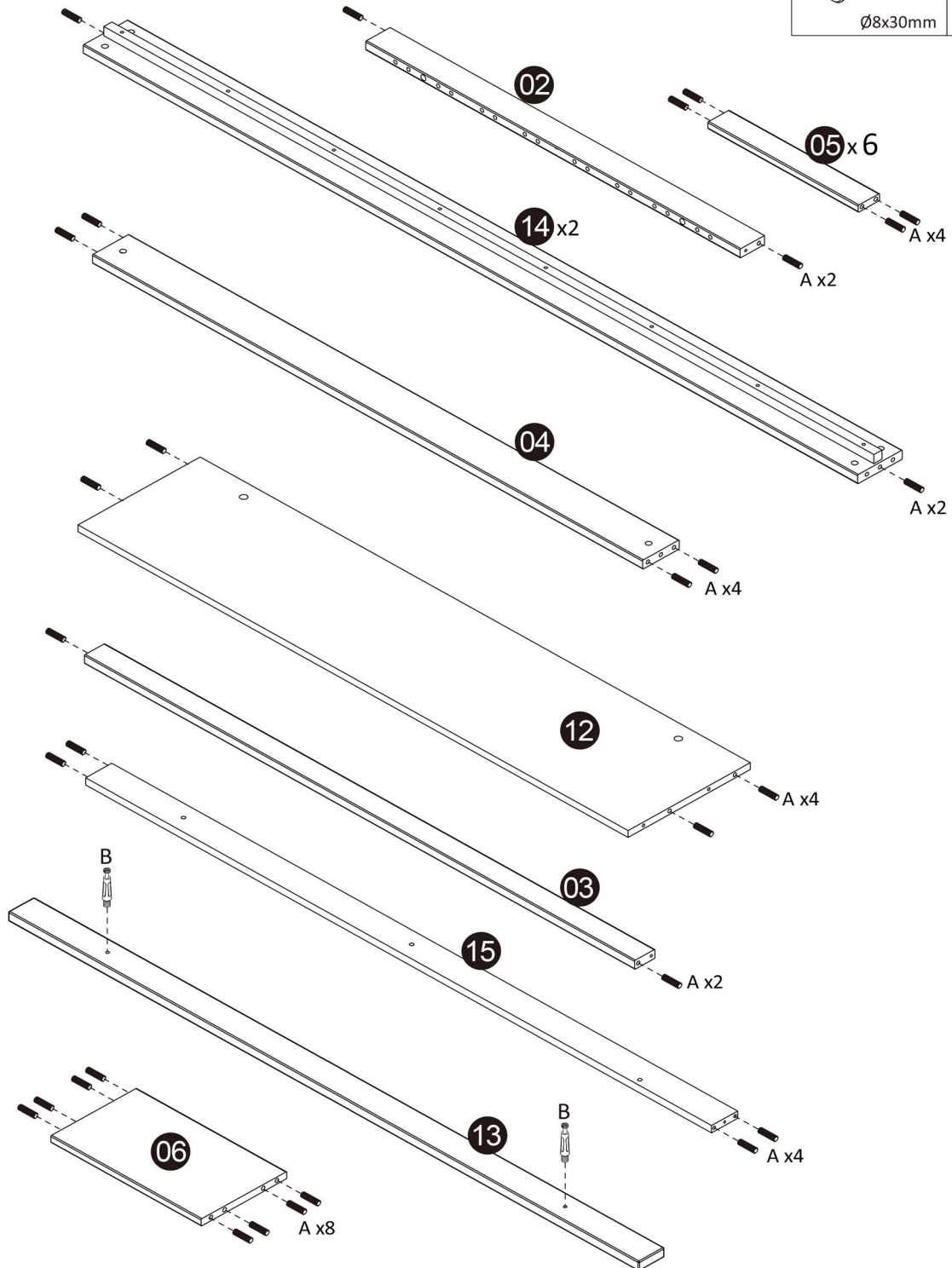
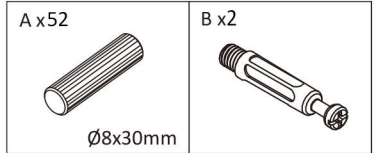


**Ruler** - Use this ruler to help correctly identify the screws

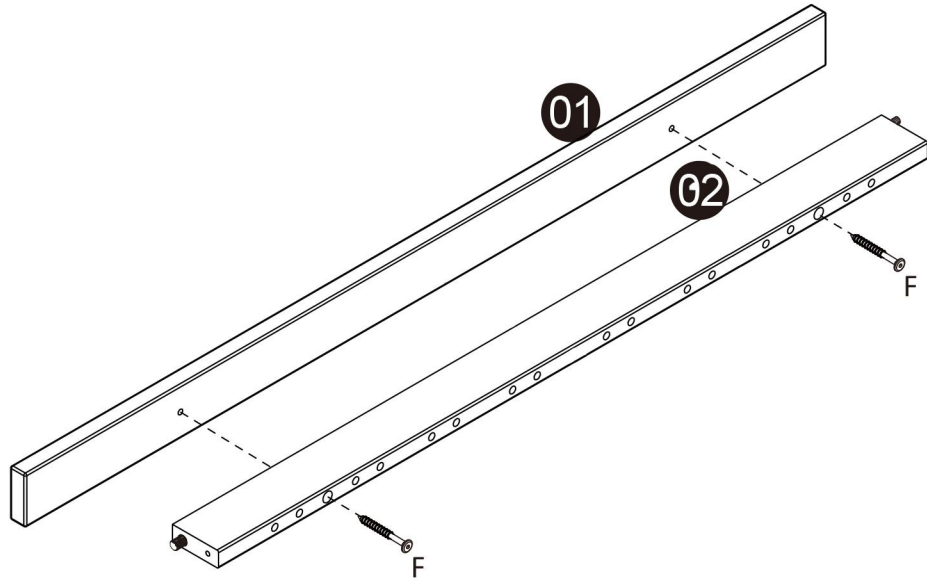
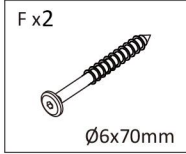
0 5 10 15 20 25 30 35 40 45 50 55 60 65 70 75 80 85 90 95 100 105 110 115 120 125 130 135 140 145 150 155 160 165 170



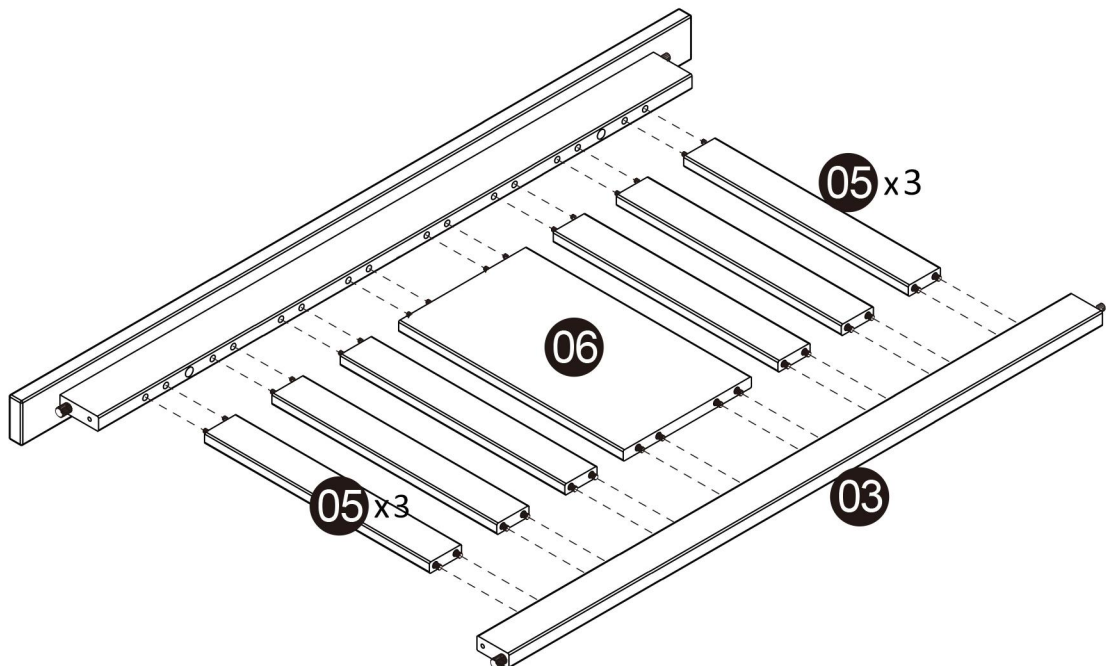
01







02

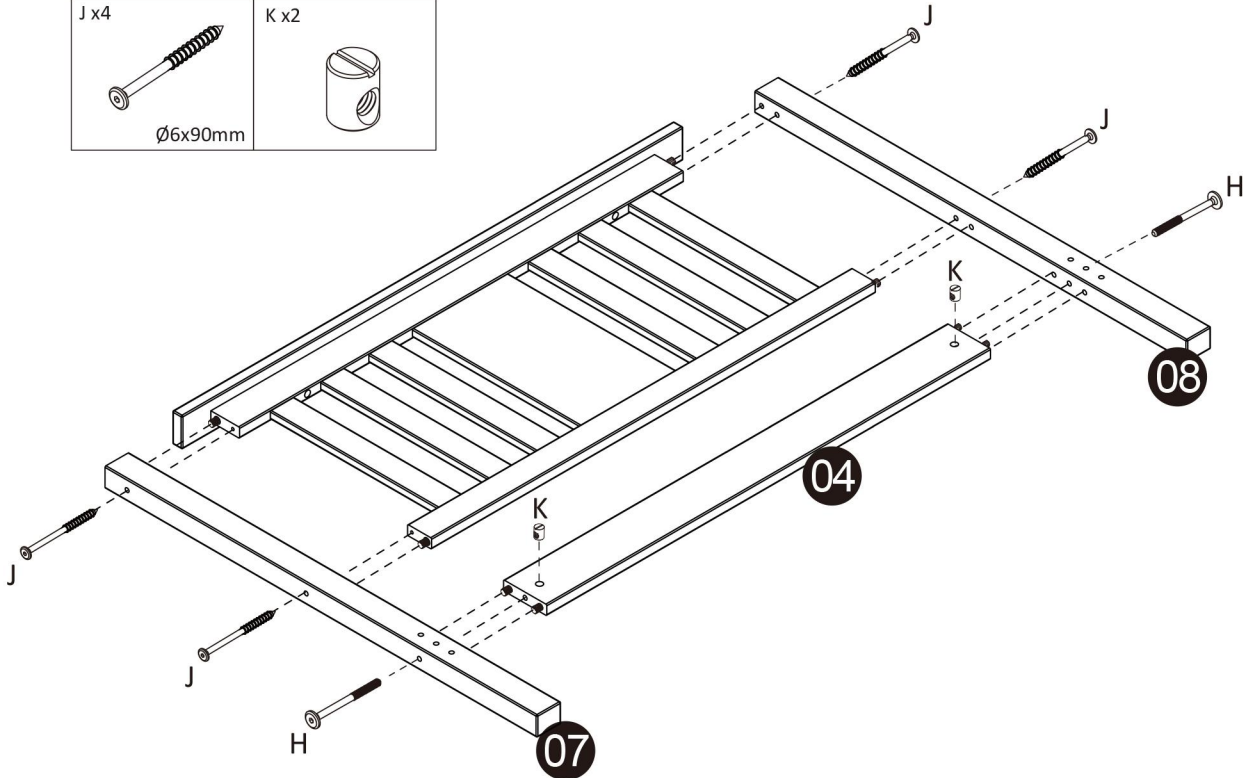


03





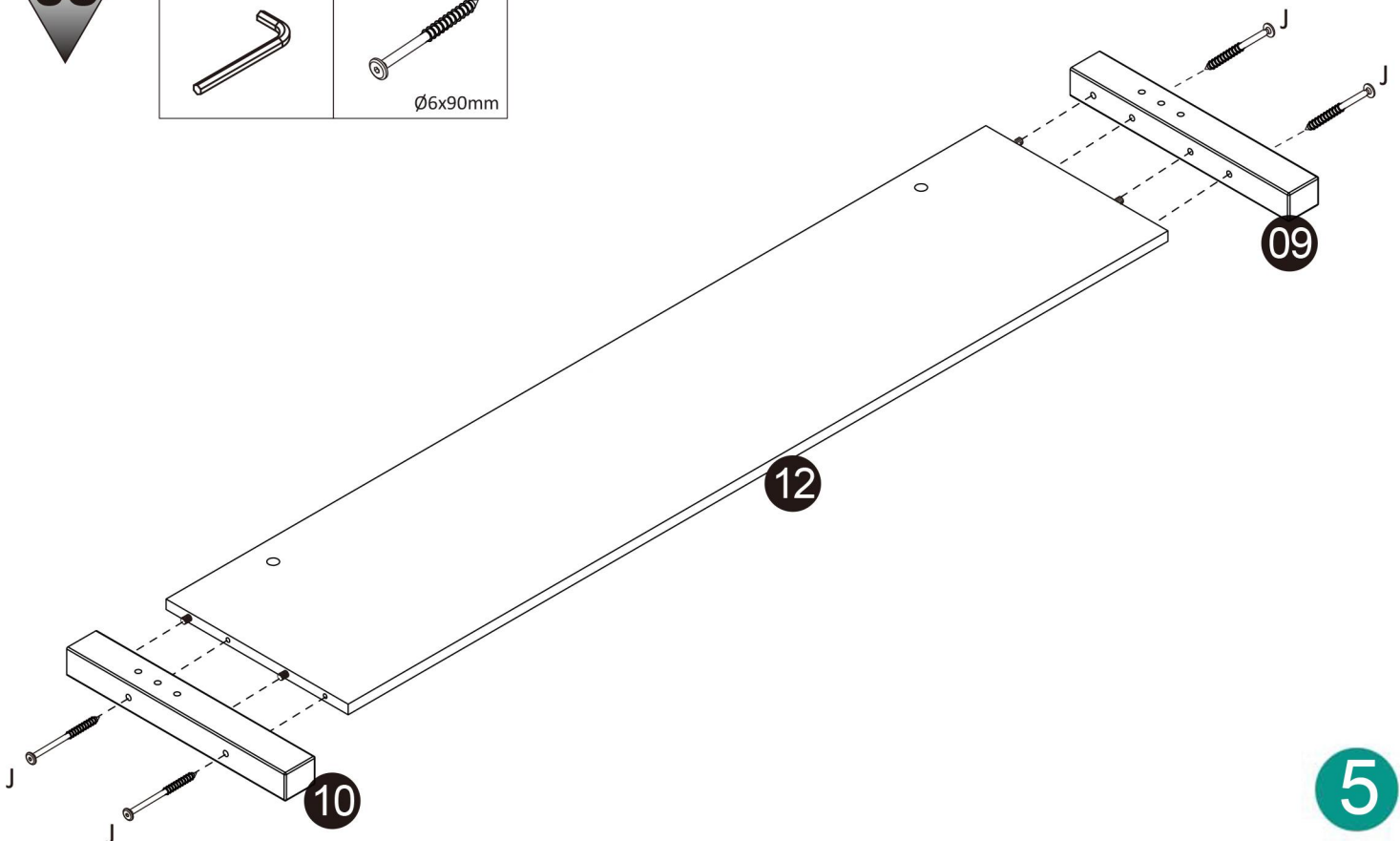
04

D x1 	H x2  M6x90mm
J x4  Ø6x90mm	K x2 

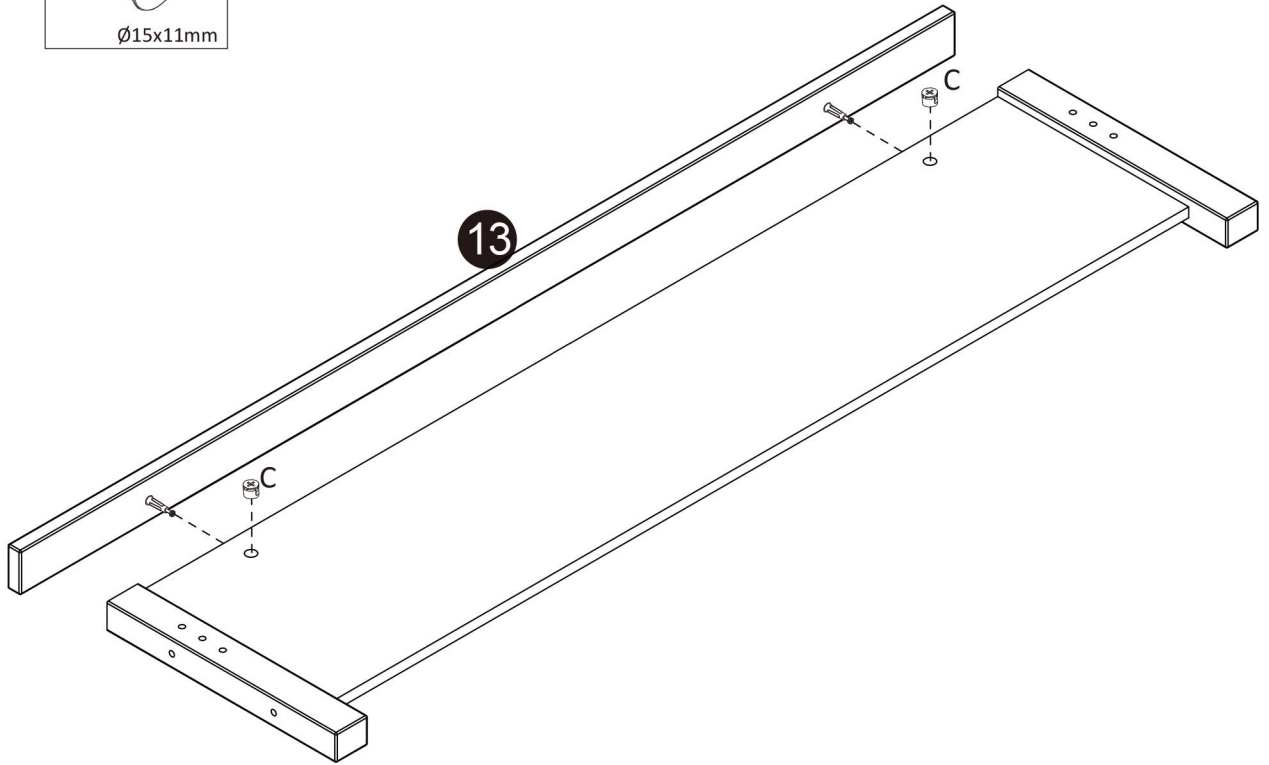
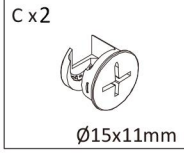


05

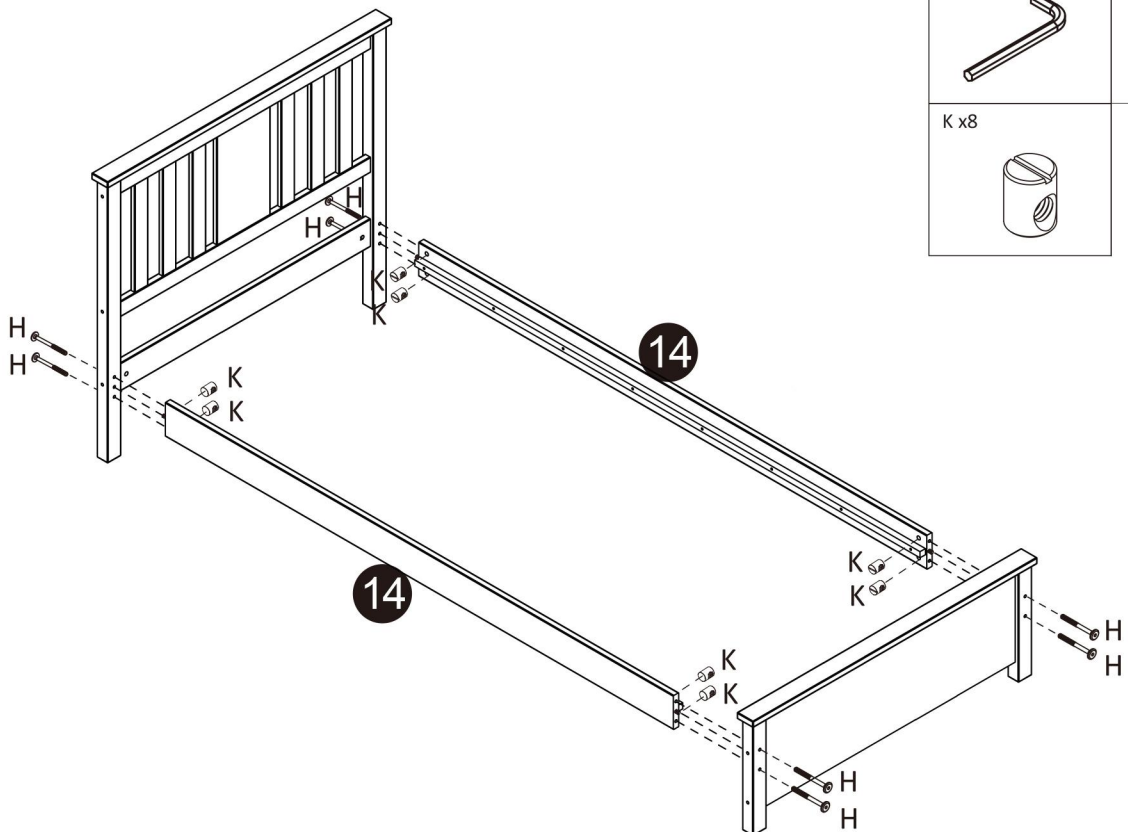
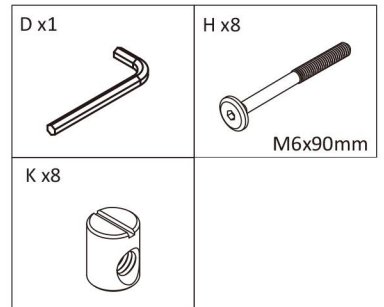
D x1 	J x4  Ø6x90mm
---	--



06



07

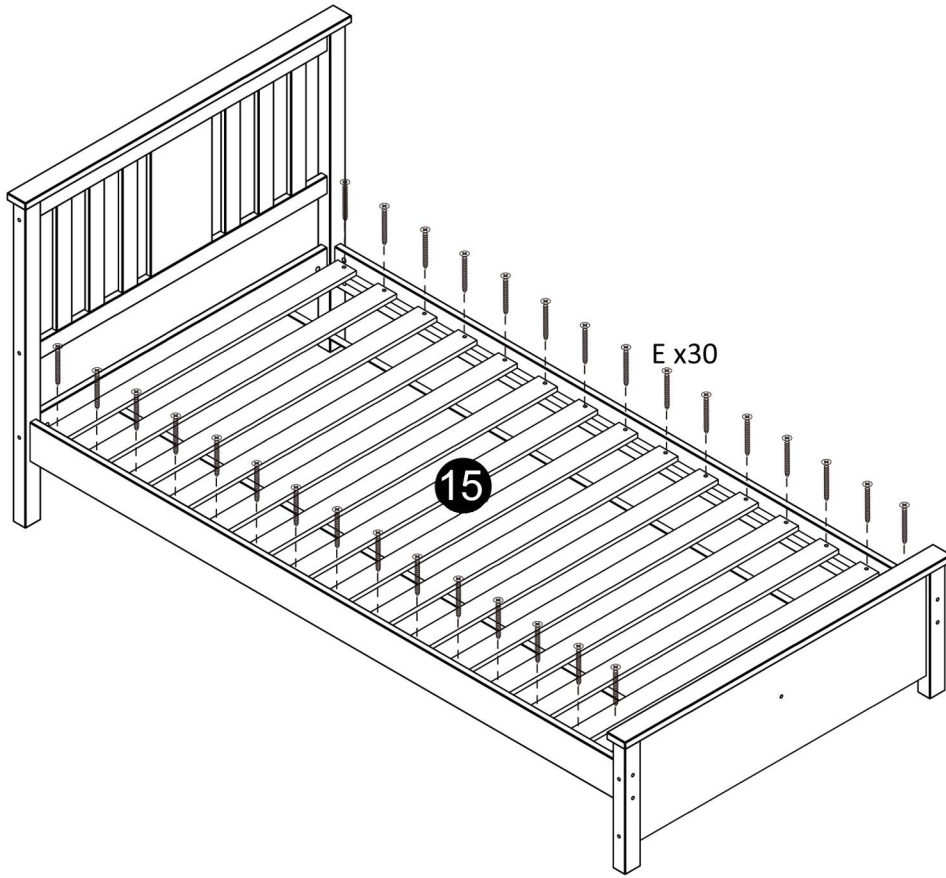


08

E x30



Ø4x30mm





## **SURFACE CARE INSTRUCTIONS**

**A little care and attention will extend the life and good looks of your furniture. Take care when using materials which might spill, or be sharp or abrasive, on the surface of your furniture.**

**Normal Cleaning:** For normal cleaning use a soft, dry, clean cloth.

**Glass Cleaning for Frosted Glass:** Do not use glass cleaner or solvent based cleaners on glass that has a frosting effect on it.

**Normal Glass Cleaning:** You may use normal glass cleaning products on all other types of glass. Use a soft non-abrasive cloth to remove light dust and finger prints.

**Leather & Vinyl Cloth Cleaning:** Under no circumstances should any abrasive materials be used on these surfaces, as it will result in irreparable damage.

**Do not use solvents, solvent based cleaners, scouring pads, steel wool or scrubbing brushes to clean this furniture item.**

**Only use a slightly damp, soft, clean cloth on this surface if cleaning is needed. Do not scrub.**

## **CAUTION**

- 01.** When moving this furniture item, please always hold up the product. Dragging or sliding could damage the product itself and the floor surface.
- 02.** As with all furniture, this unit should not be exposed to direct sunlight, extreme temperatures or moisture, as this can result in irreparable damage.
- 03.** Be sure to protect the floor, wall or surrounding furniture with a carpet, blanket or shock-absorbing materials during assembly in order not to damage them.