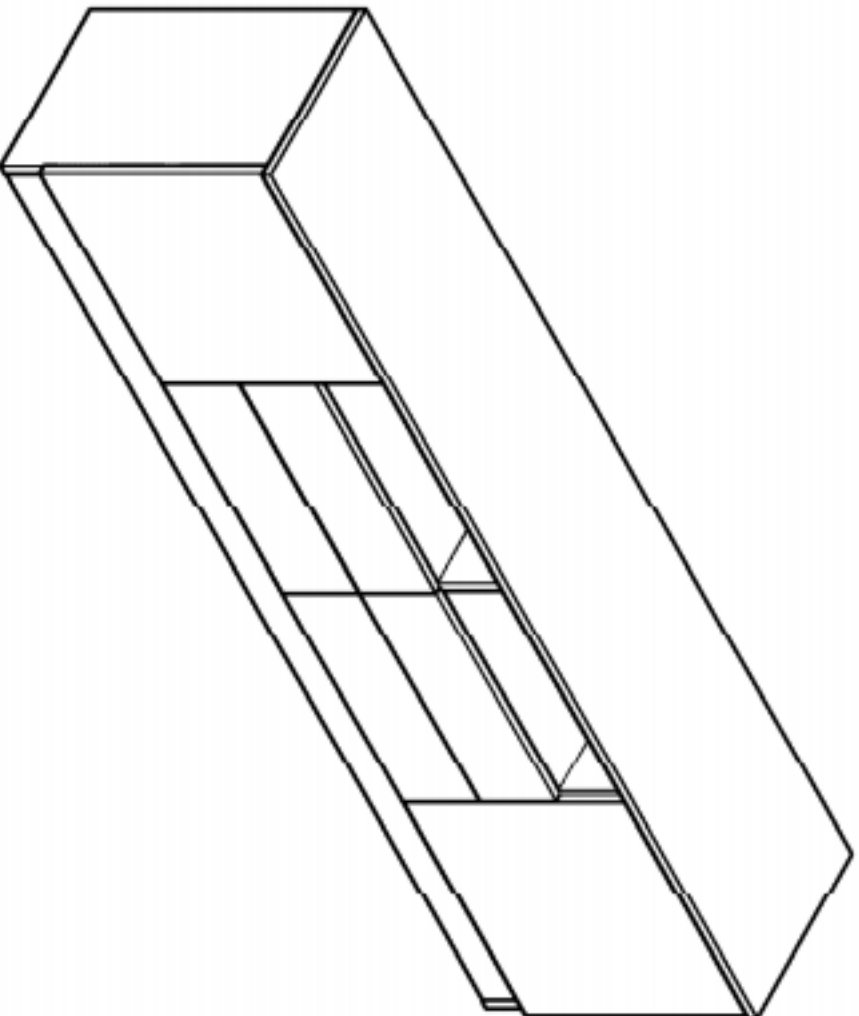
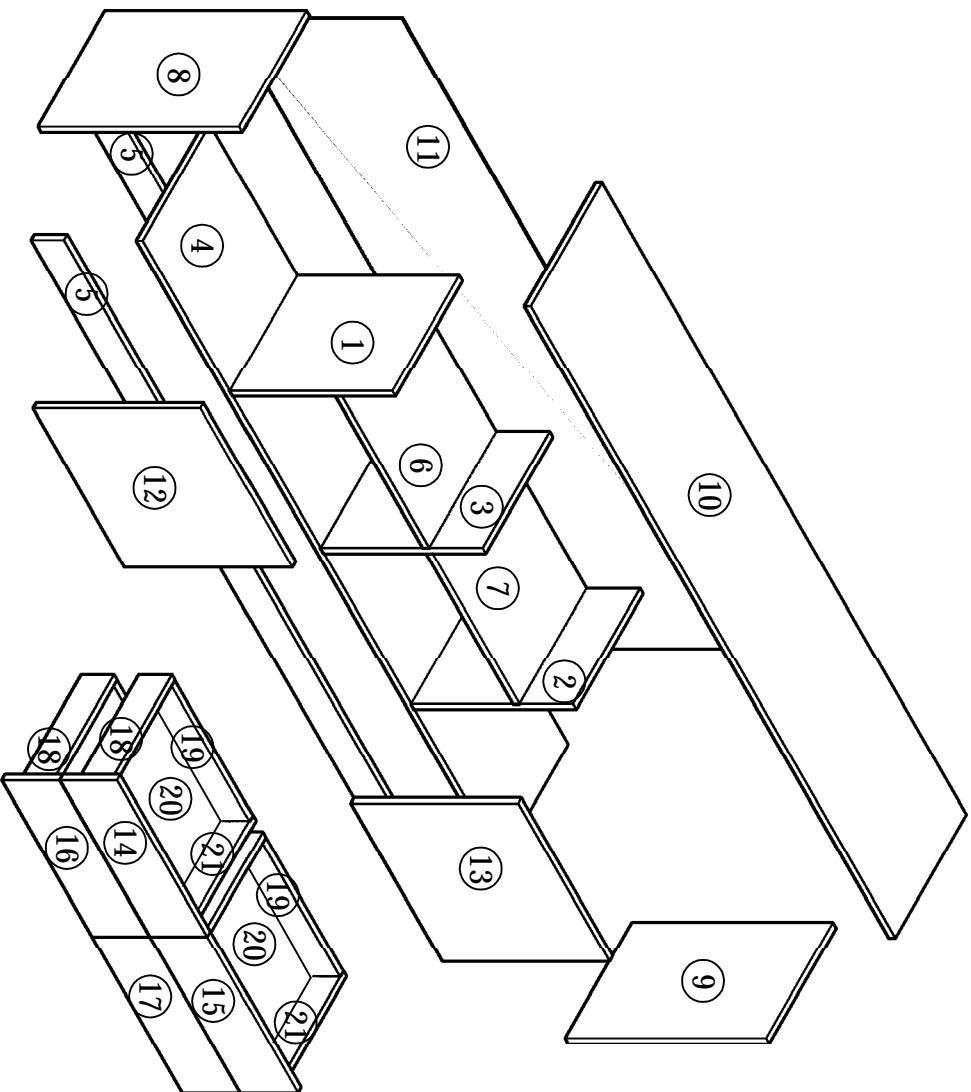
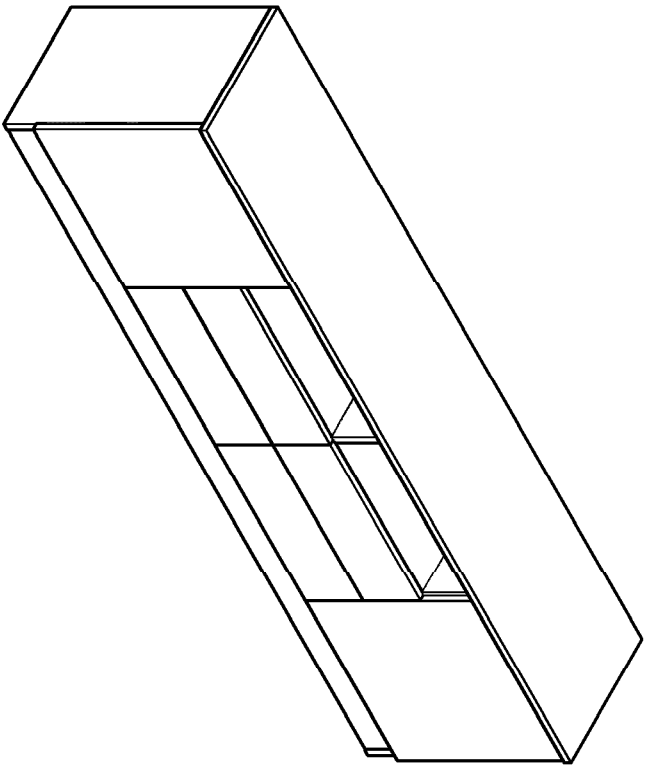
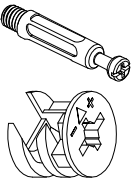
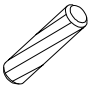

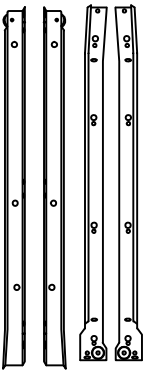
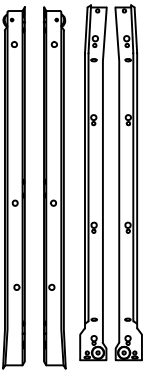
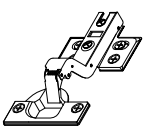



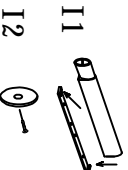




## Code : 22007

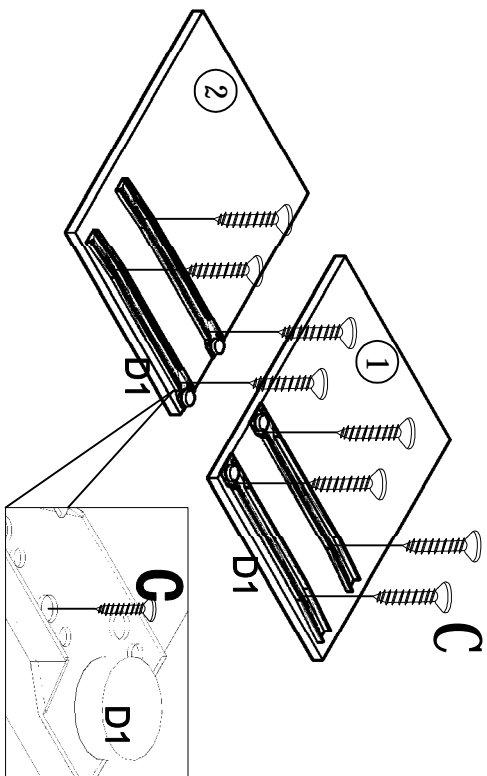


**⚠** Warning Warning - Any furniture that is not anchored to a wall has the potential to tip over in certain circumstances, ie if a child attempts to climb up on the furniture or in the event of an earthquake. Accordingly, we recommend that all furniture is anchored to a wall. We supply a free safety wall anchor with all furniture sold and we recommend these are used to prevent your product tipping. See our blog here for more info on using wall anchors.



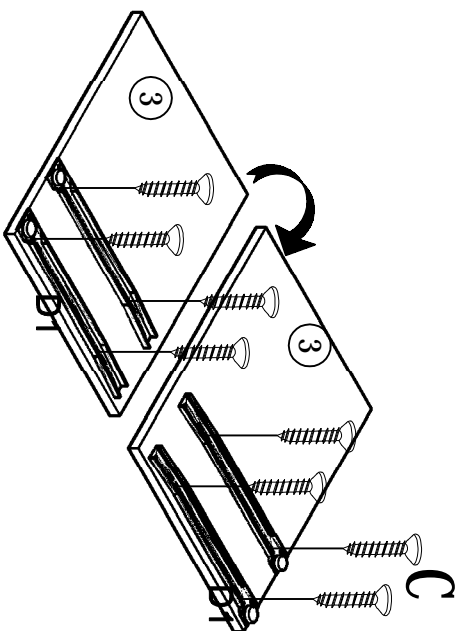
<b>A</b>  62pcs	<b>B</b>  13pcs	<b>C</b>  68pcs 14*3.5	<b>D</b> D1  4pcs D2  6pcs		<b>E</b>  4pcs	<b>F</b>  16pcs 35*3.5	<b>G</b>  60pcs	<b>H</b>  8pcs	<b>I</b>  11 12	<b>J</b>  2pcs 35*3.5mm 14*3.5mm	<b>K</b>  62pcs
--	--	--	--	--	---	---	--	--	--	--	--

1



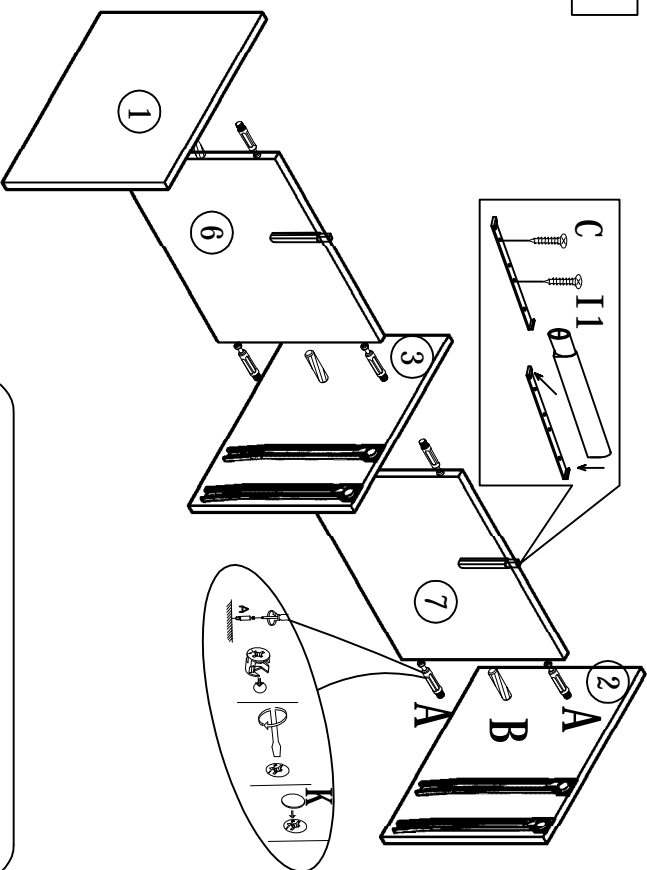
C\*8 D1\*4

2



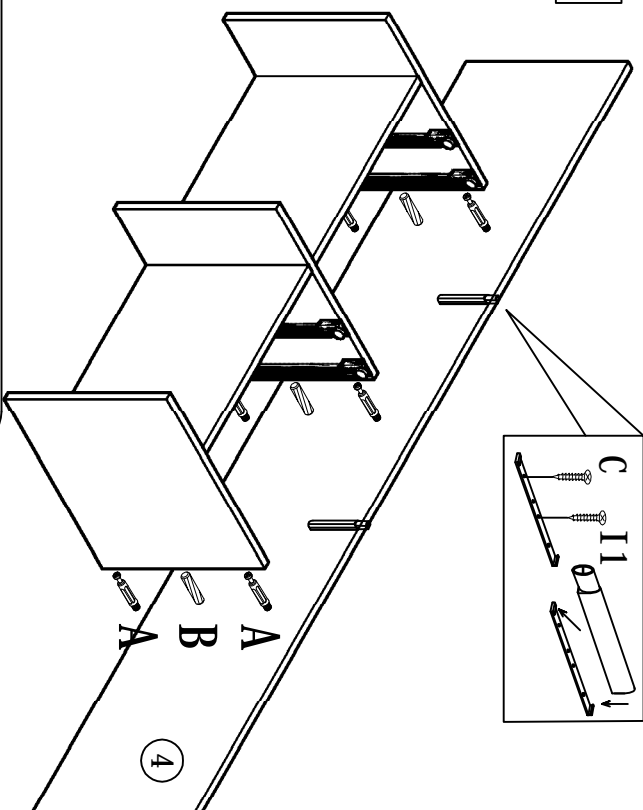
C\*8 D1\*4

3



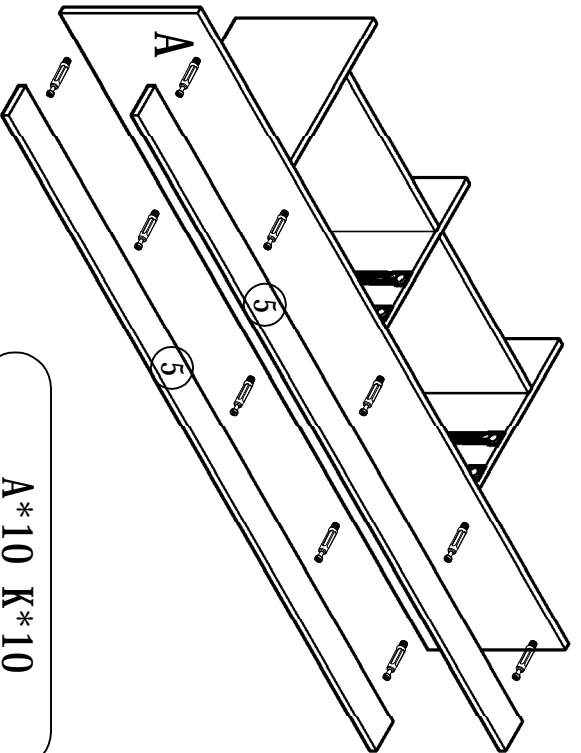
A\*8 B\*3 C\*4 I1\*2 K\*8

4



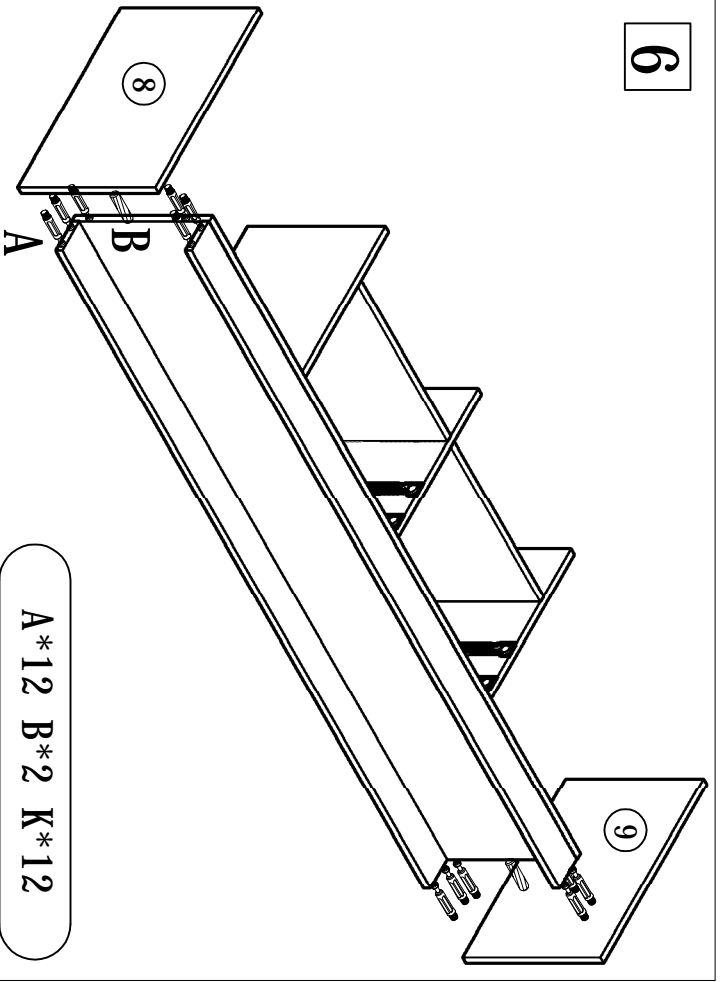
A\*6 B\*3 C\*4 I1\*2 K\*6

5



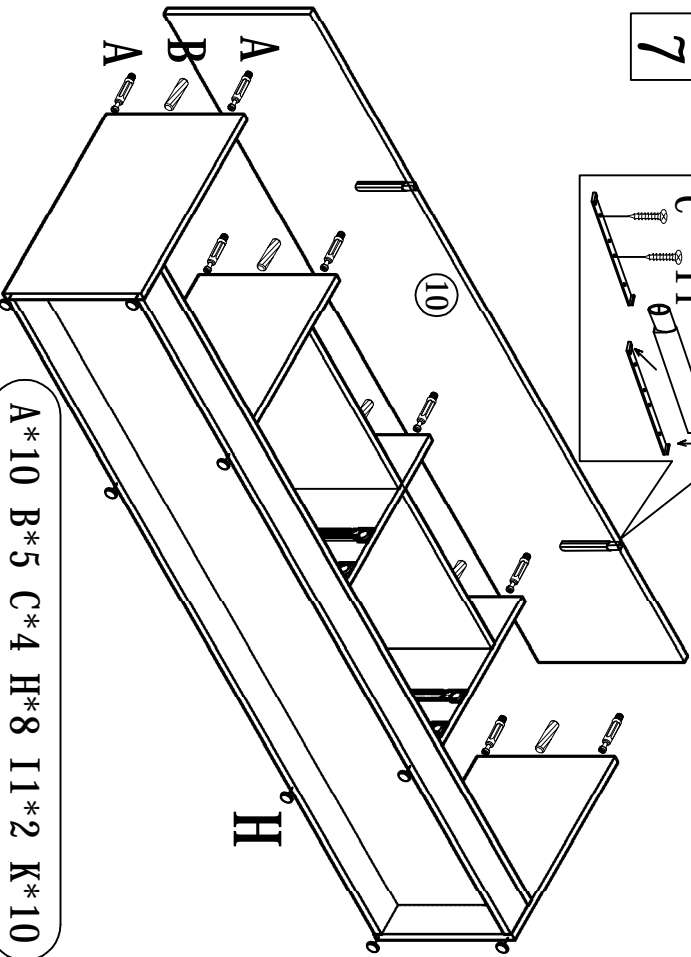
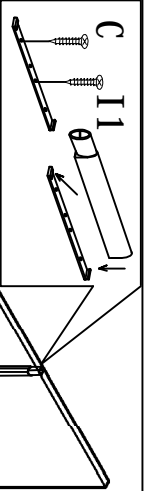
A\*10 K\*10

6



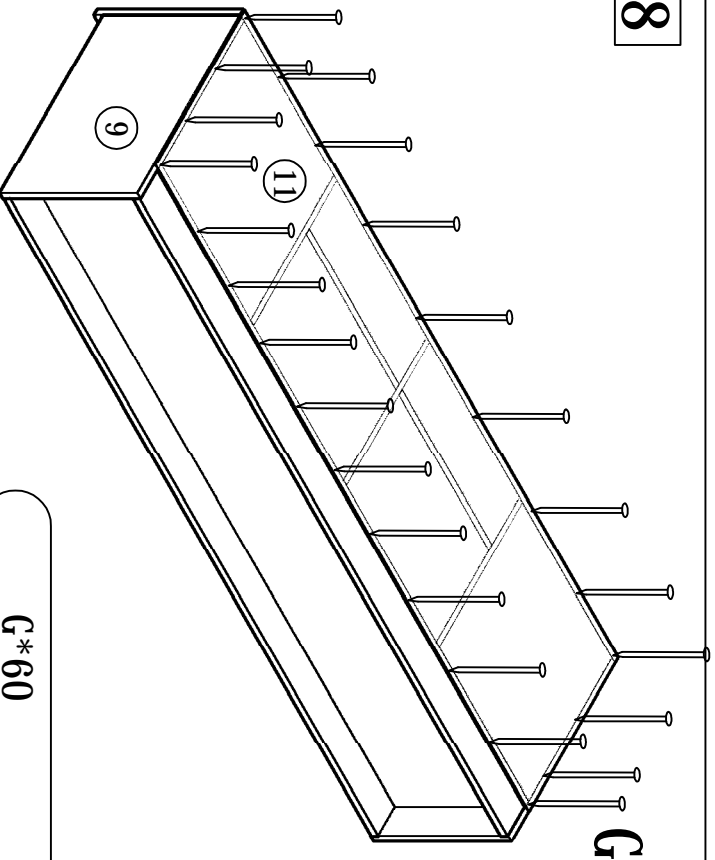
A\*12 B\*2 K\*12

7



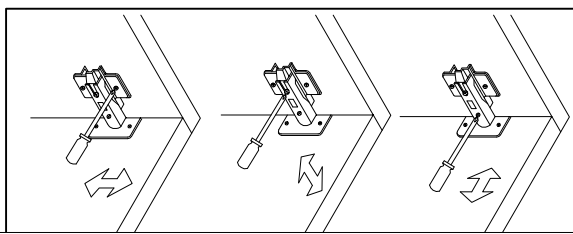
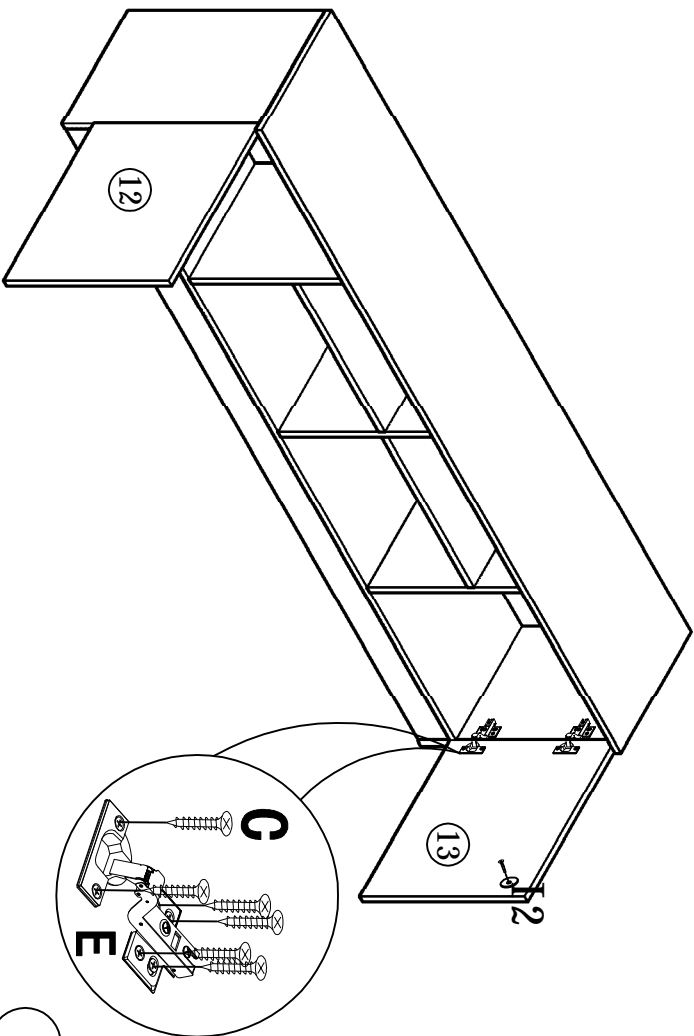
A\*10 B\*5 C\*4 H\*8 I1\*2 K\*10

8



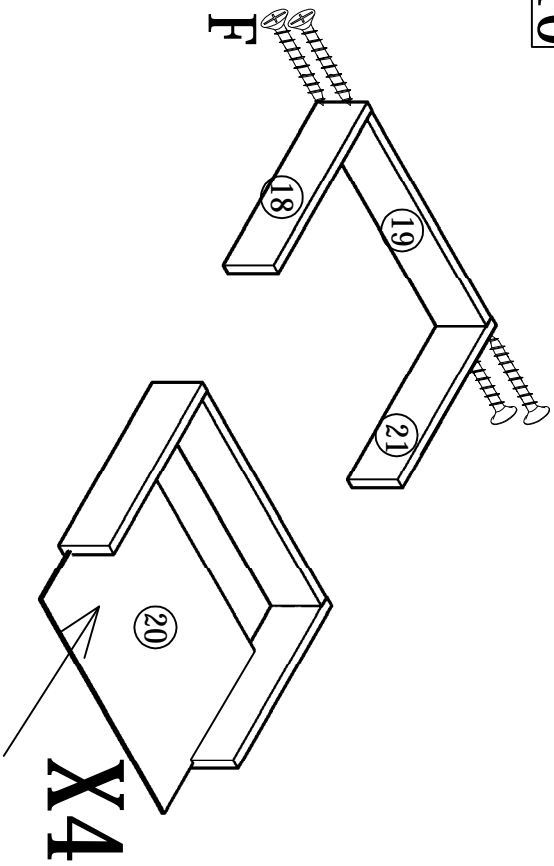
G\*60

9



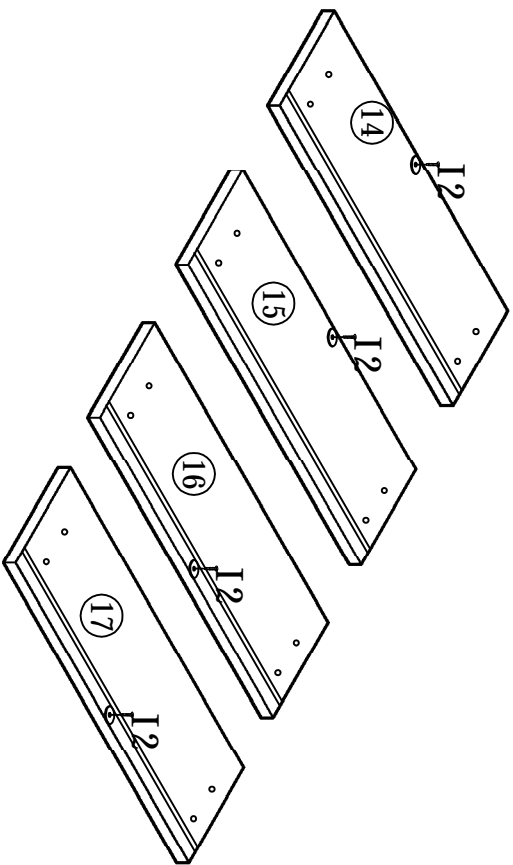
C\*24 E\*4 I2\*2

10



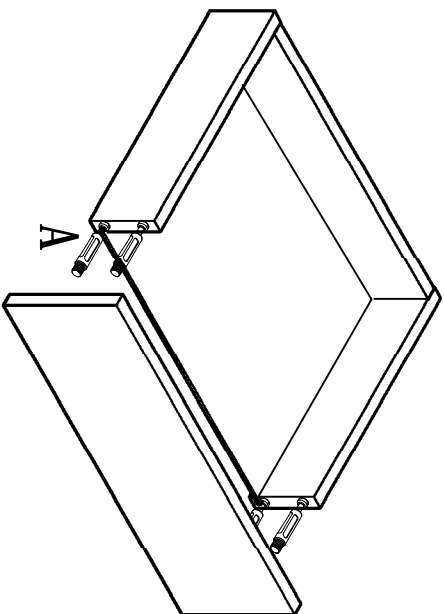
F\*4

11



I2\*4

12

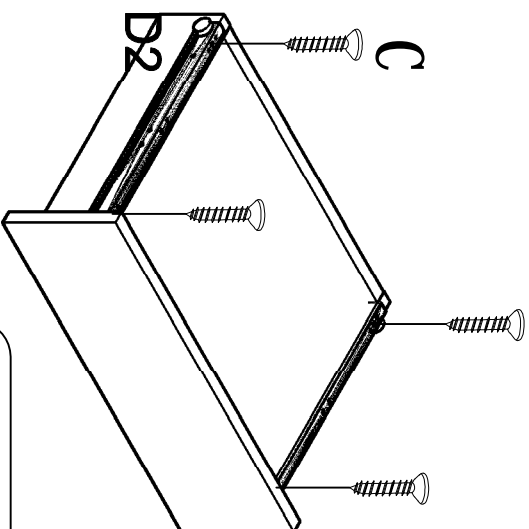


⑭ X1  
 ⑮ X1  
 ⑯ X1  
 ⑰ X1

A\*4 K\*4

X4

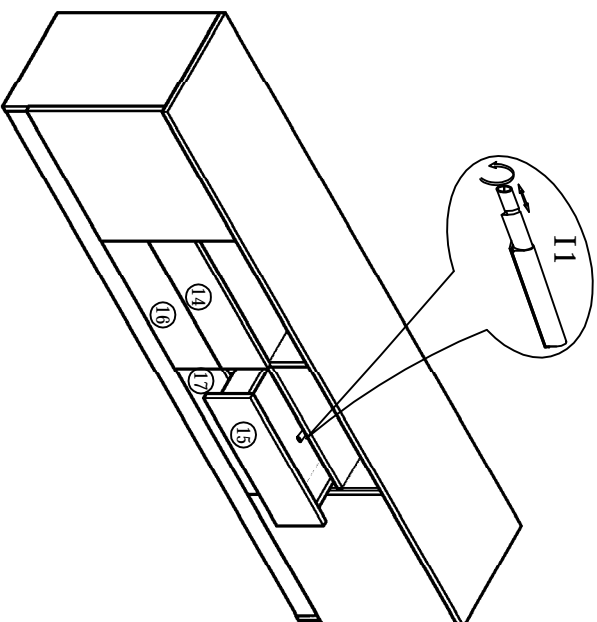
13

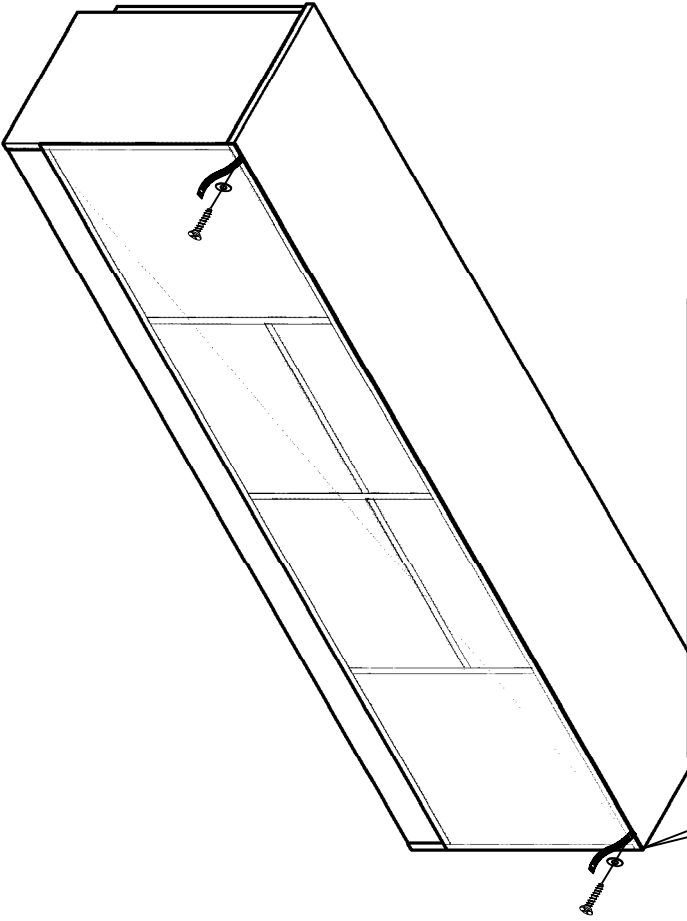
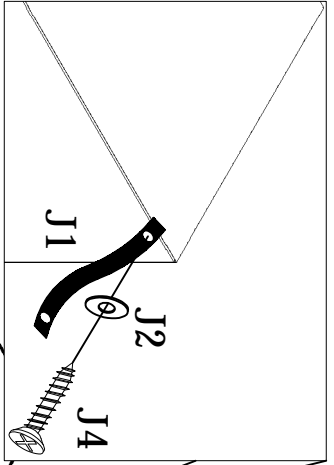


C\*4 D2\*2

X4

14





J\*2

