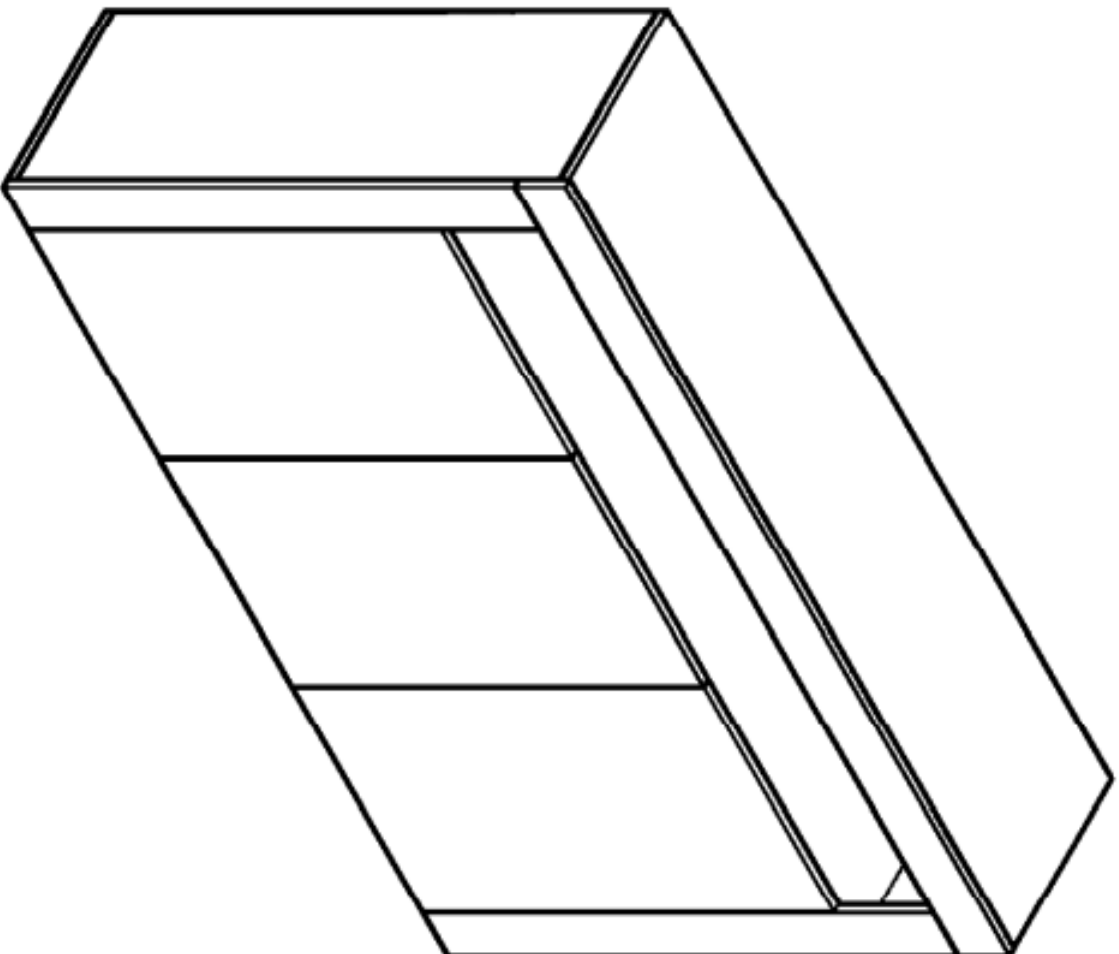

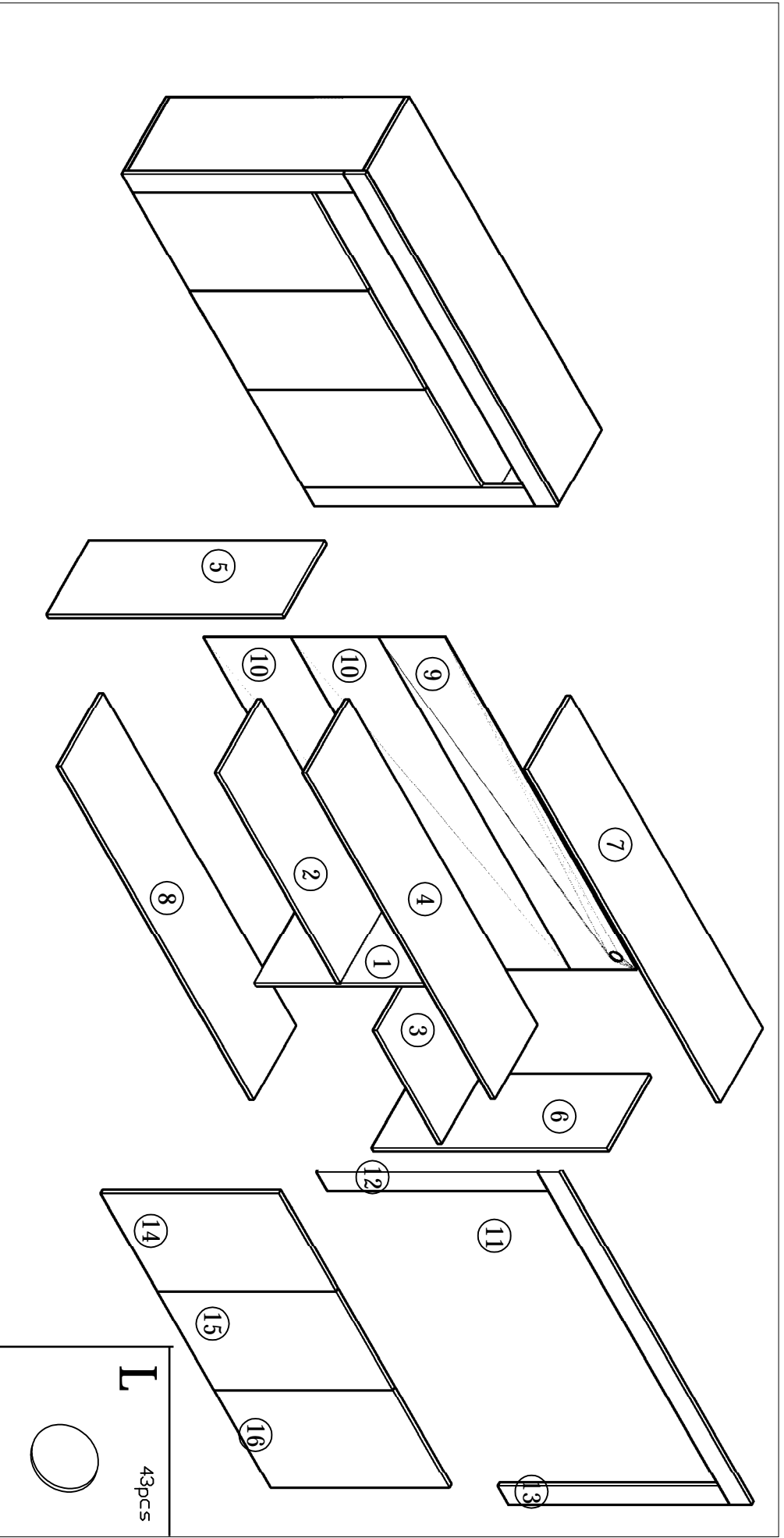
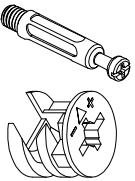
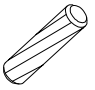

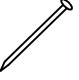
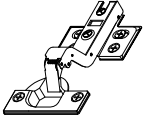
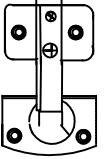

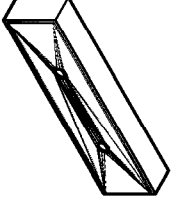
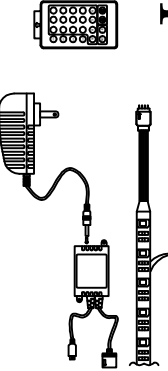
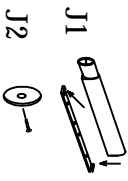

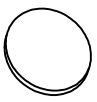


Code : 22000

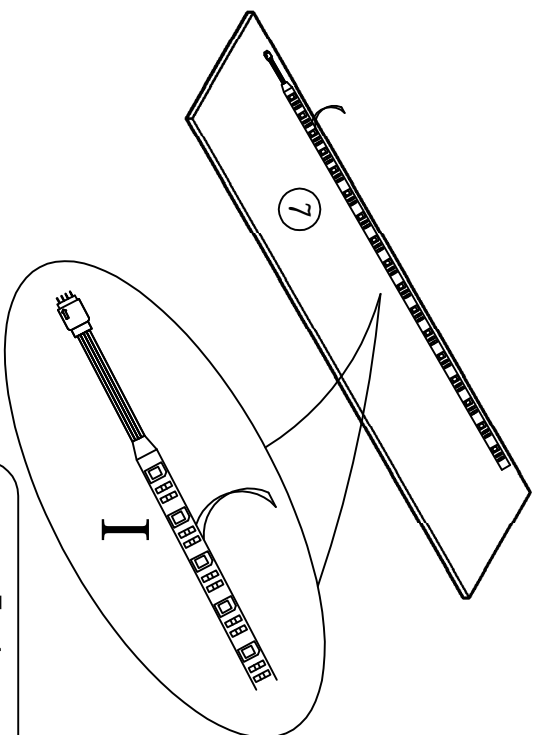


 Warning Warning - Any furniture that is not anchored to a wall has the potential to tip over in certain circumstances, ie if a child attempts to climb up on the furniture or in the event of an earthquake. Accordingly, we recommend that all furniture is anchored to a wall. We supply a free safety wall anchor with all furniture sold and we recommend these are used to prevent your product tipping. See our blog here for more info on using wall anchors.



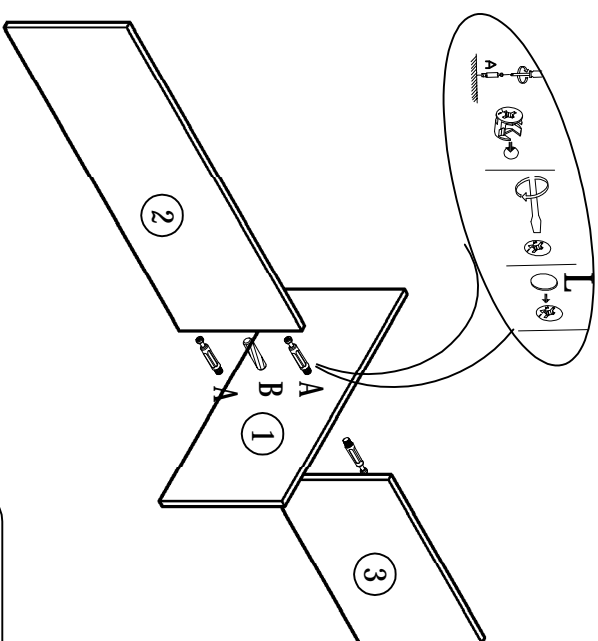
<b>A</b>  43pcs	<b>B</b>  11pcs	<b>C</b>  34pcs 14*3.5	<b>D</b>  50pcs	<b>E</b>  2pcs	<b>F</b>  4pcs	<b>G</b>  10pcs 20*3.5	<b>H</b>  5pcs	<b>I</b>  1pcs	<b>J</b>  3pcs J1 J2	<b>K</b>  2pcs 3.5*3.5mm 1.4*3.5mm	<b>L</b>  43pcs
--	--	--	--	---	---	--	---	--	--	--	--

1



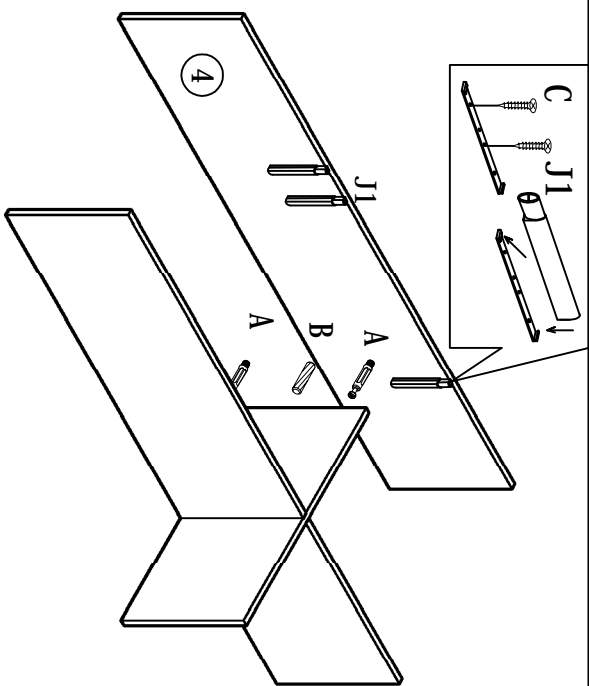
I x 1

2



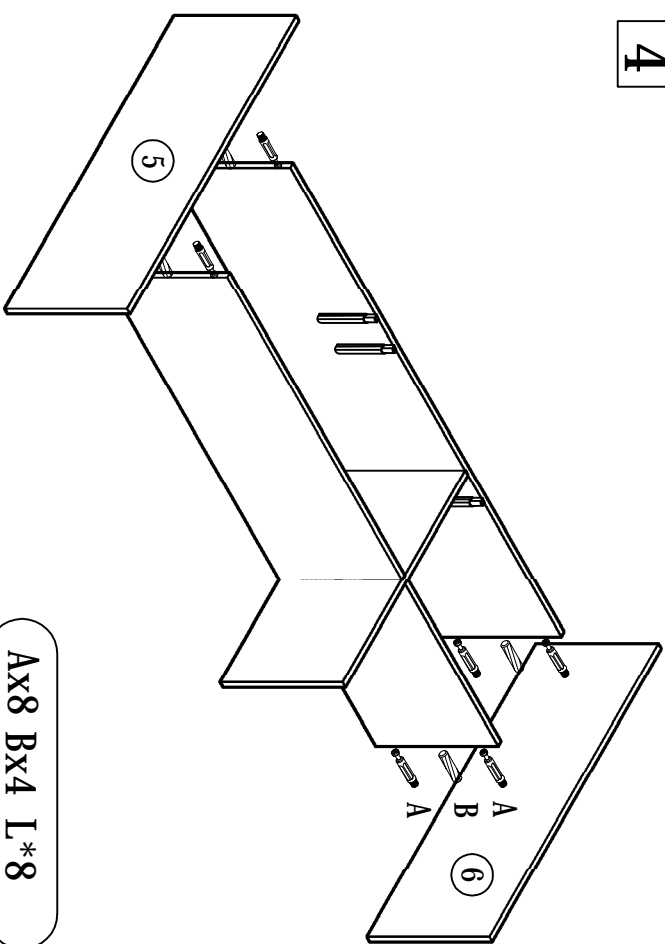
Ax4 Bx1 L\*4

3



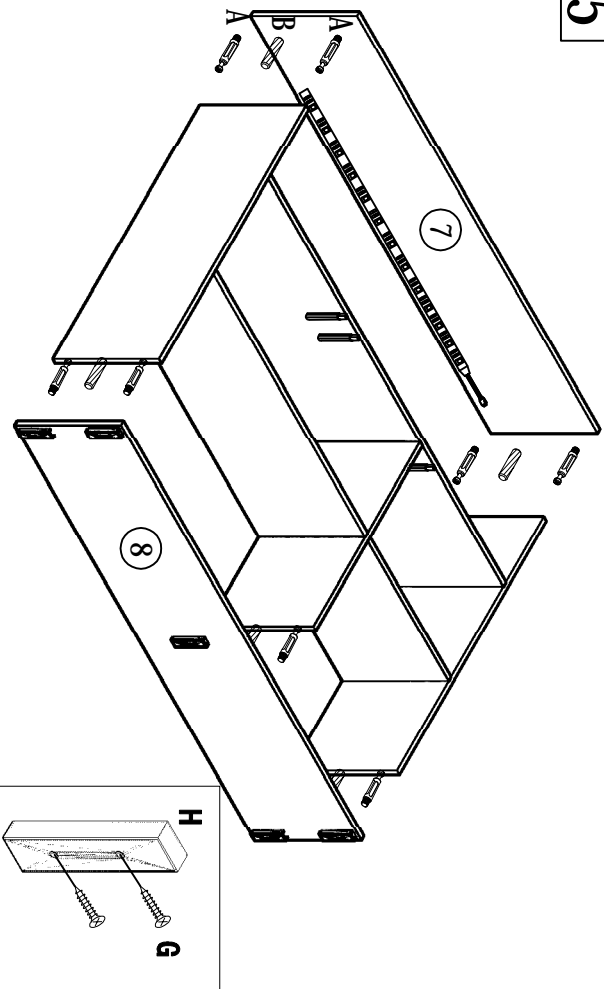
Ax2 Bx1 Cx6 J1x3 L\*2

4



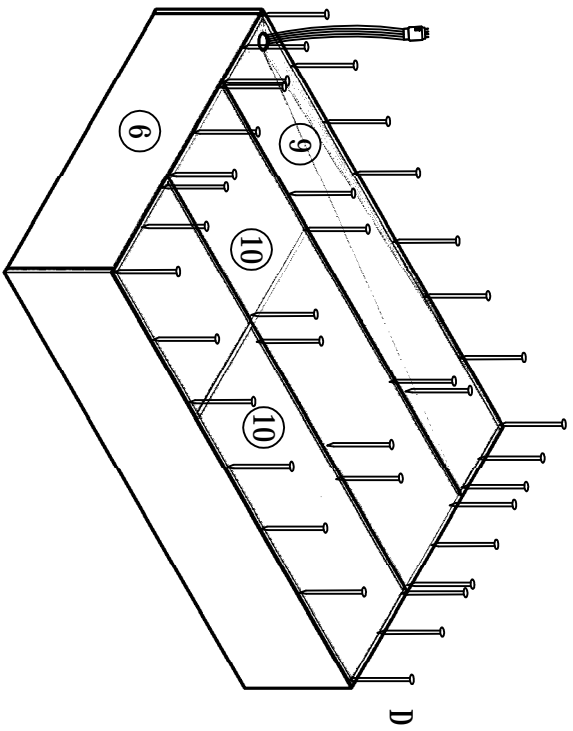
Ax8 Bx4 L\*8

5



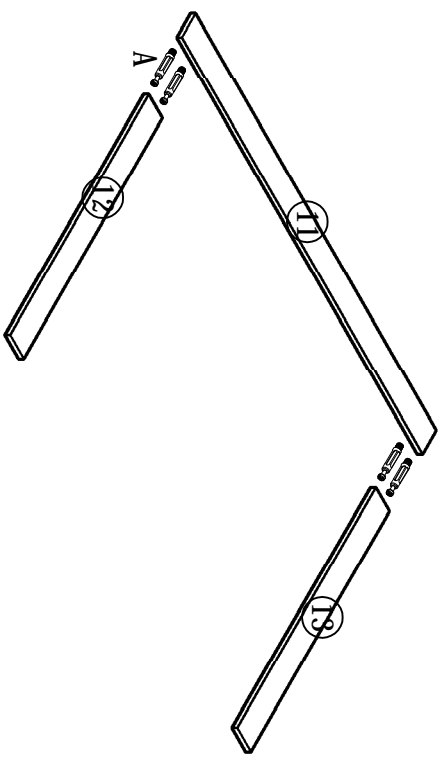
Ax10 Bx5 Gx10 Hx5 L\*10

6



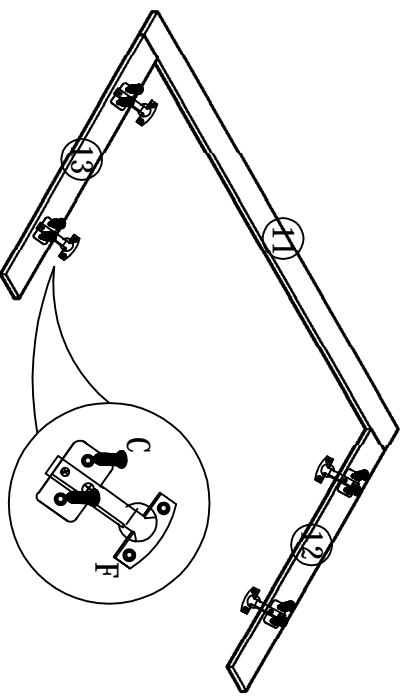
Dx50

7



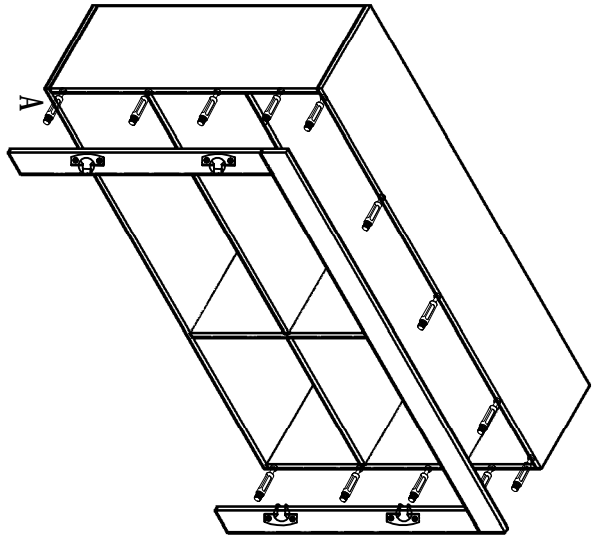
Ax4 L\*4

8



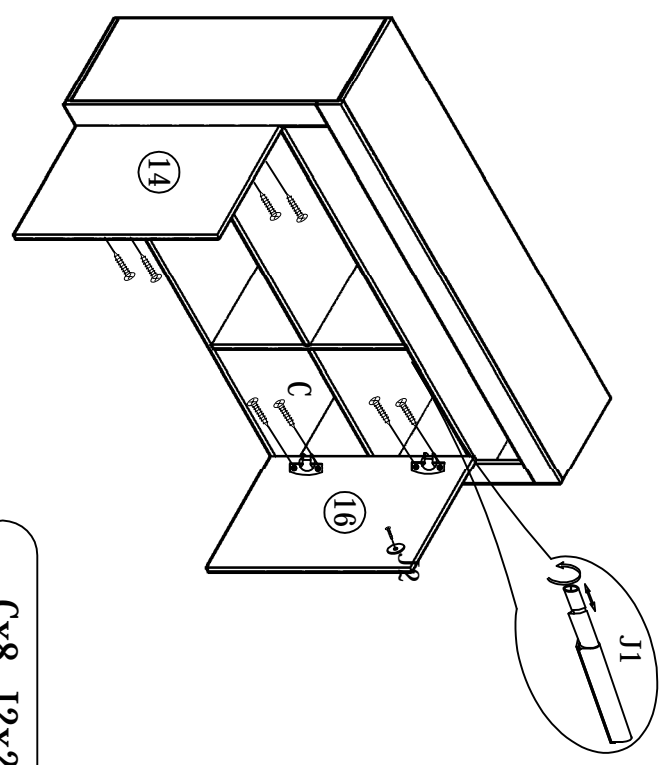
Cx8 Fx4

9



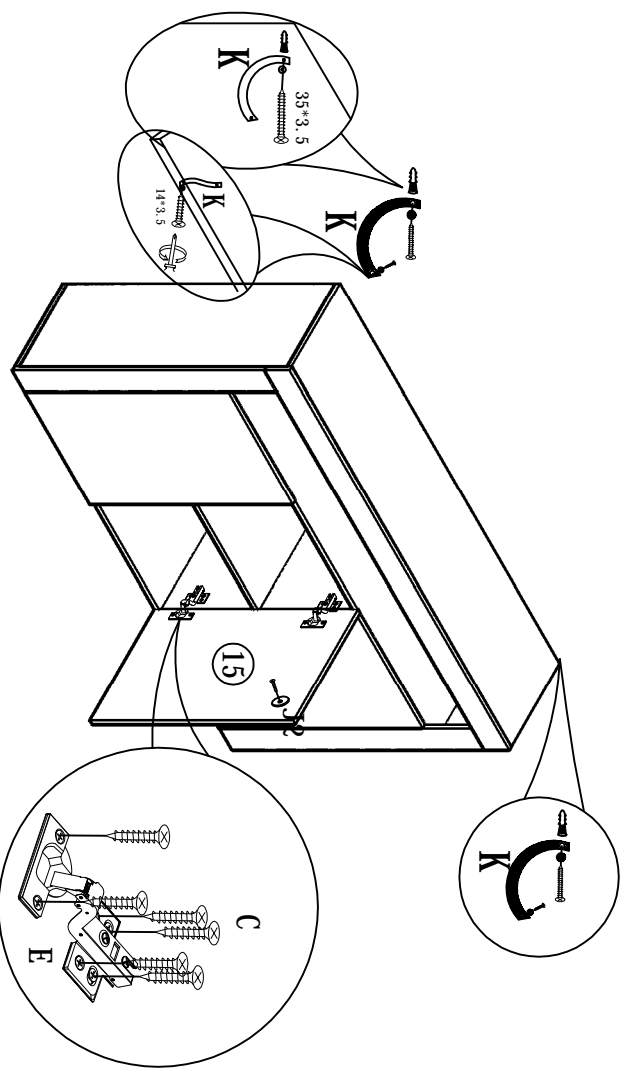
Ax13 L\*13

10



Cx8 J2x2

11



Cx12 Fx2 J2x1 Kx2

