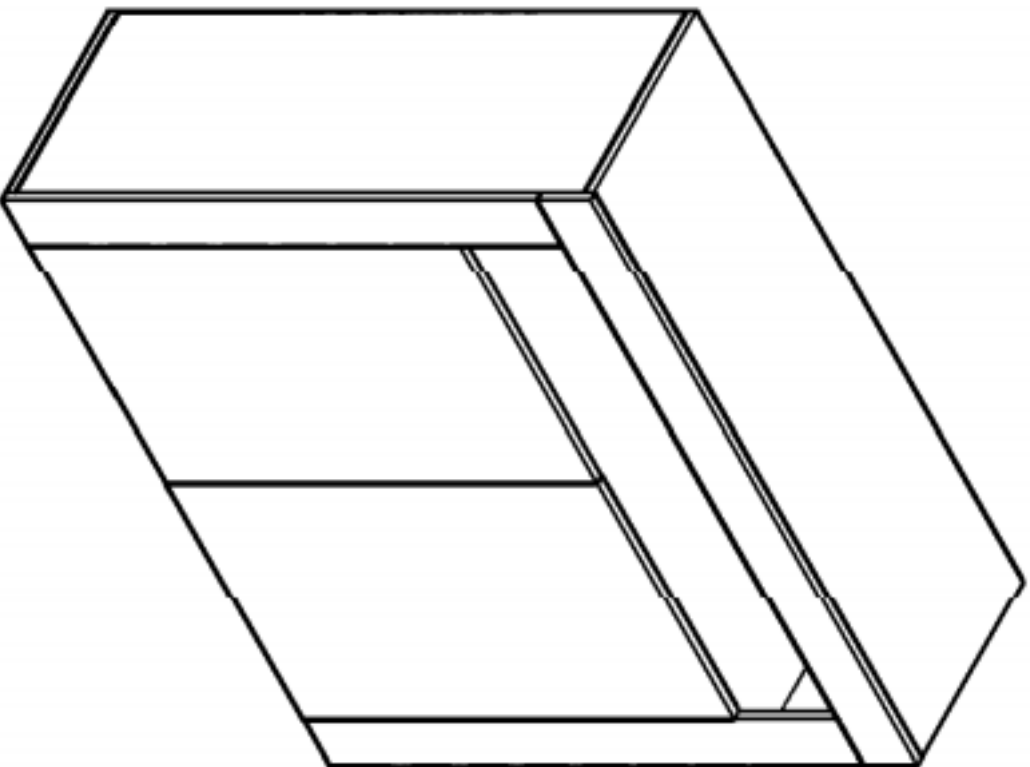
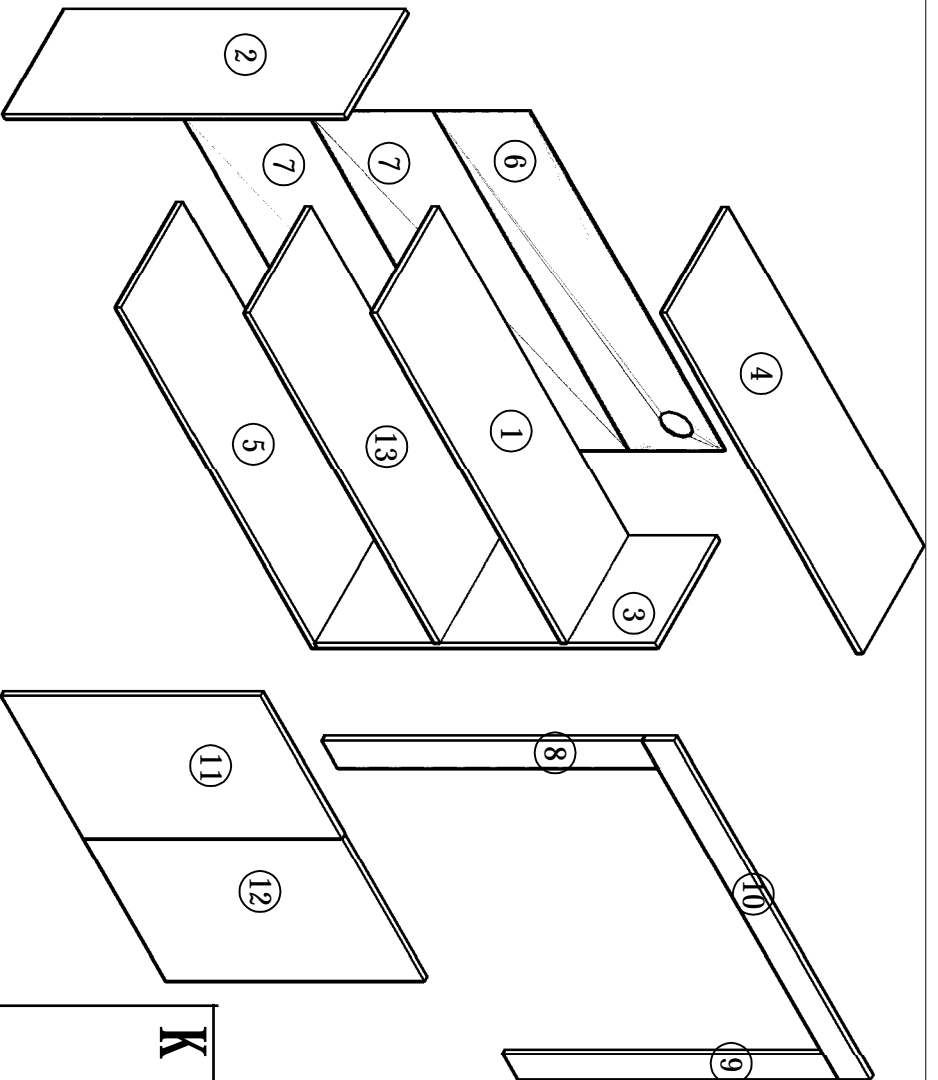
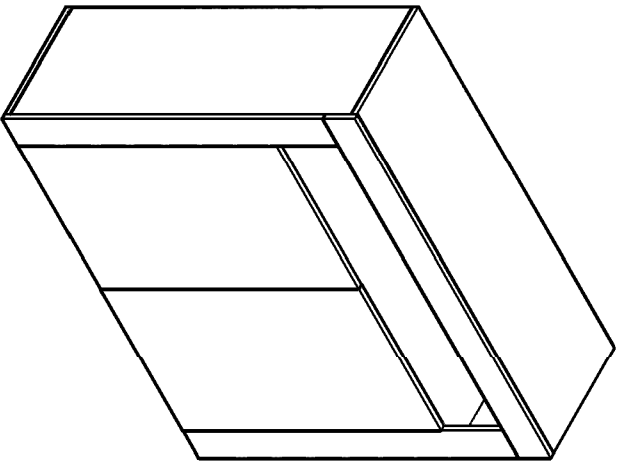


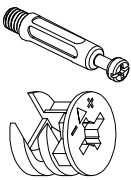



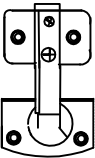
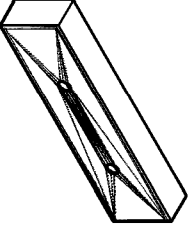
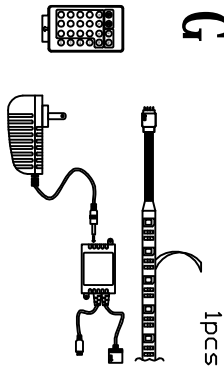

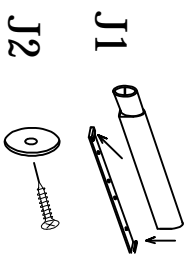
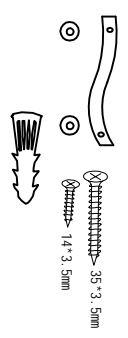
Code : 21999



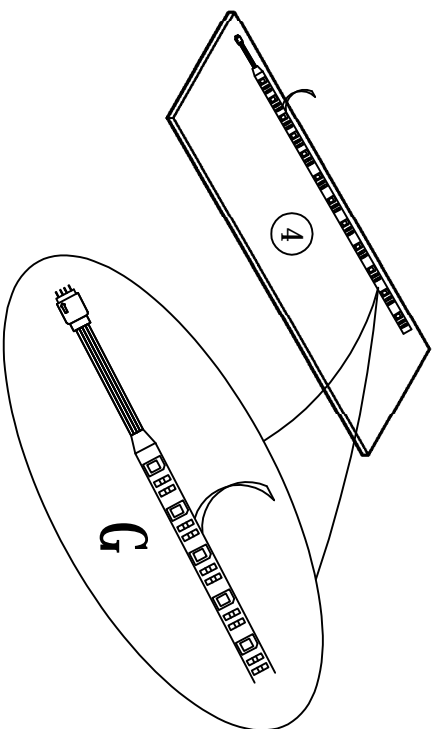
⚠ Warning Warning - Any furniture that is not anchored to a wall has the potential to tip over in certain circumstances, ie if a child attempts to climb up on the furniture or in the event of an earthquake. Accordingly, we recommend that all furniture is anchored to a wall. We supply a free safety wall anchor with all furniture sold and we recommend these are used to prevent your product tipping. See our blog here for more info on using wall anchors.



K
34pcs

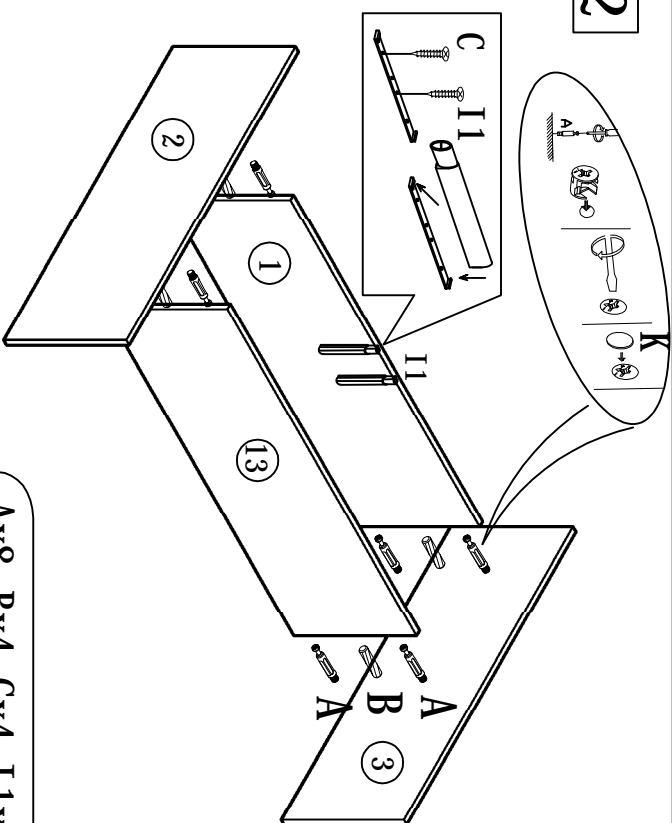
<p>A</p>  <p>34pcs</p>	<p>B</p>  <p>8pcs</p>	<p>C</p>  <p>20pcs 14*3,5</p>	<p>D</p>  <p>40pcs</p>	<p>E</p>  <p>4pcs</p>
<p>F</p>  <p>5pcs</p>	<p>G</p>  <p>1pcs</p>	<p>H</p>  <p>10pcs 20*3,5</p>	<p>I</p>  <p>2pcs J1 J2</p>	<p>J</p>  <p>2pcs 35*3,5mm 14*3,5mm</p>

1



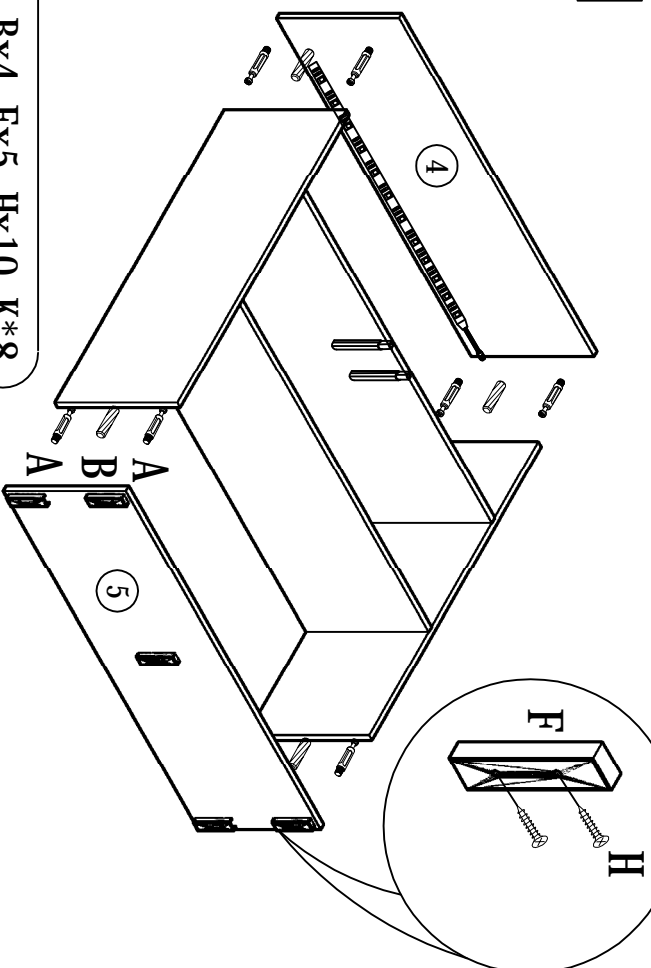
Gx1

2



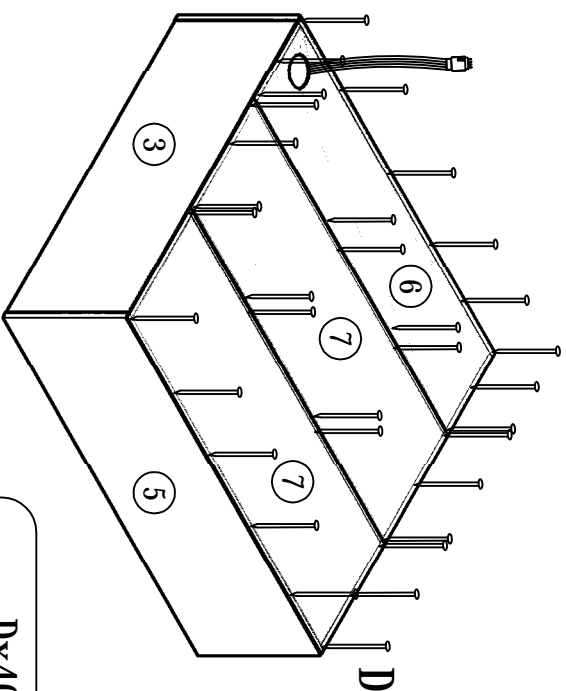
Ax8 Bx4 Cx4 I1x2 K*8

3



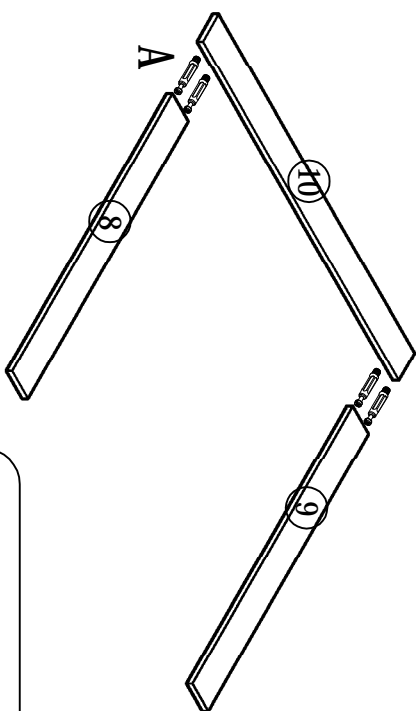
Ax8 Bx4 Fx5 Hx10 K*8

4



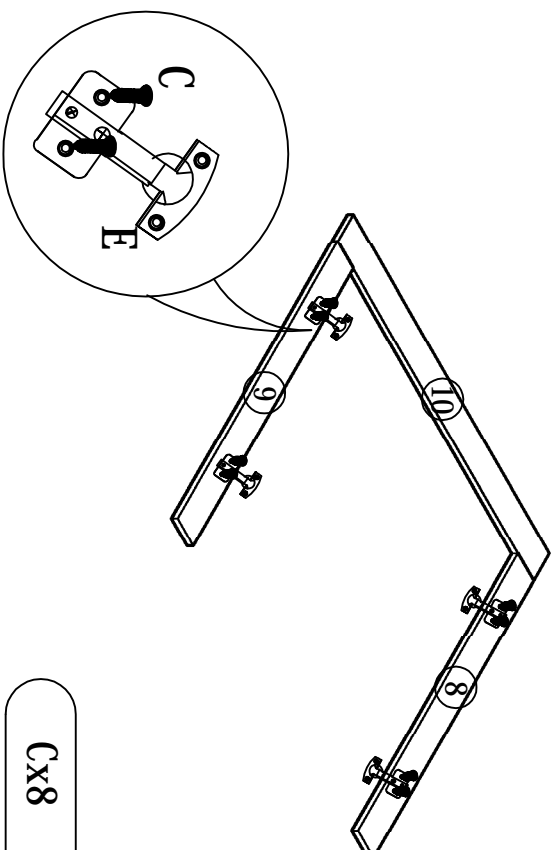
Dx40

5



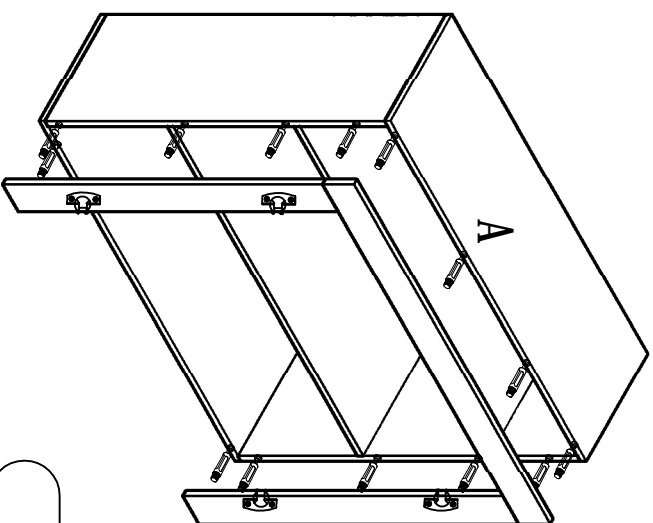
AX4 K*4

6



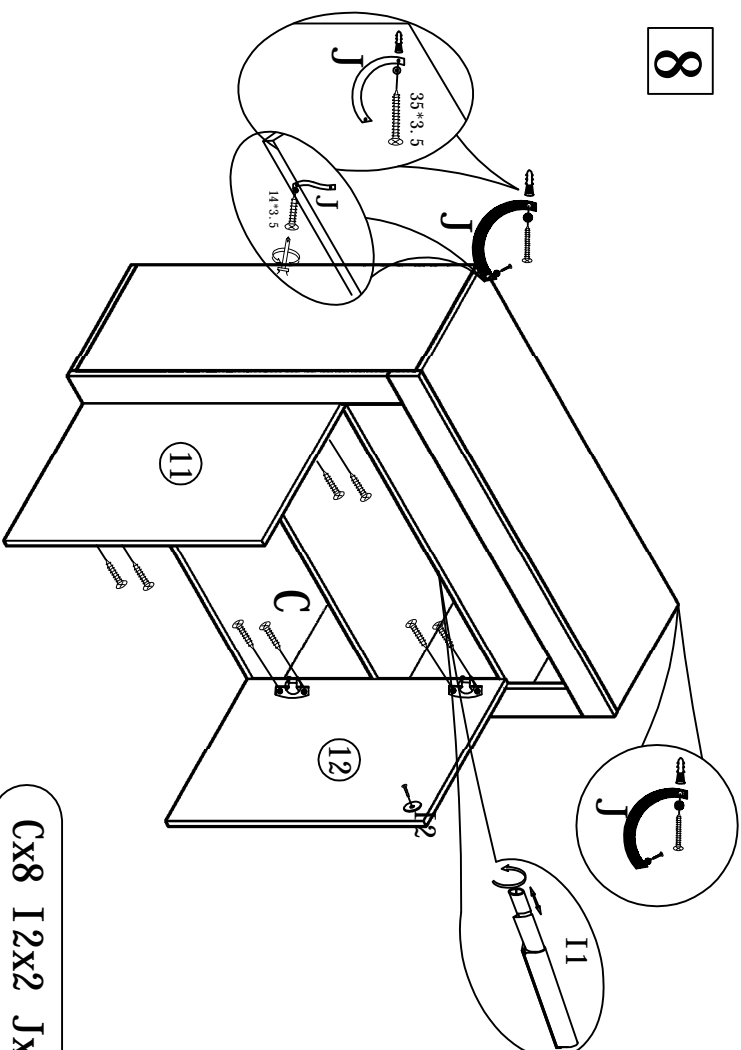
Cx8 Fx4

7



AX14 K*14

8



Cx8 I2x2 Jx2

