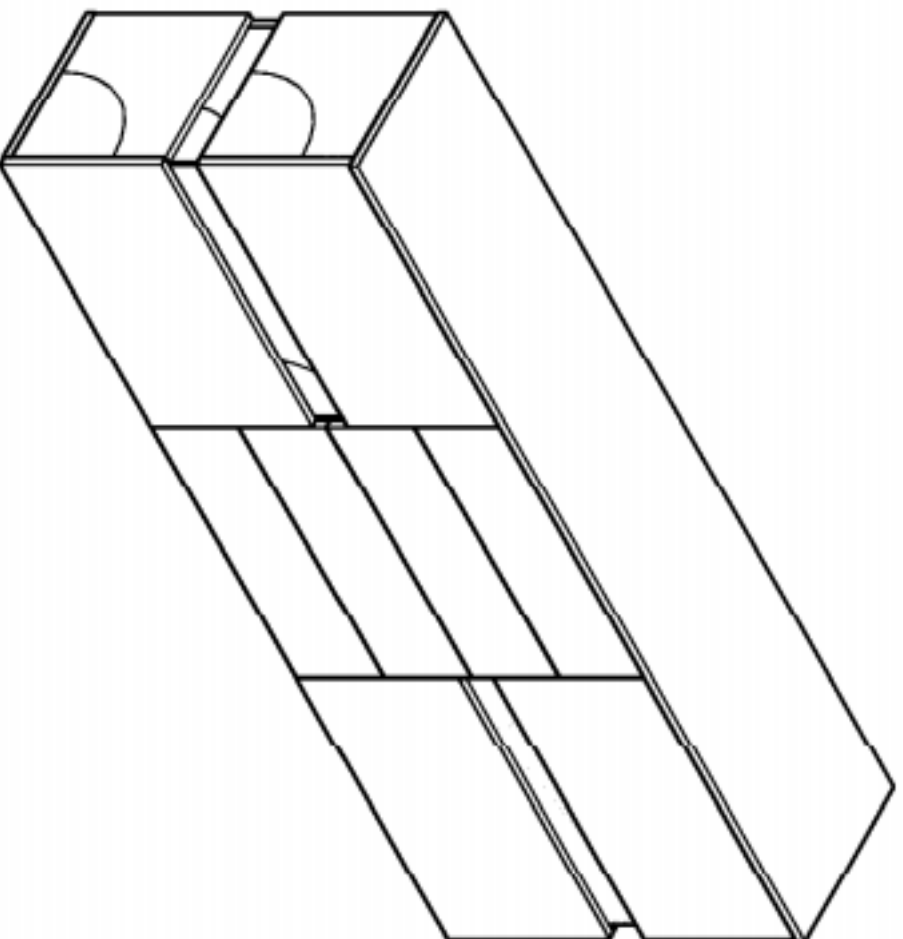
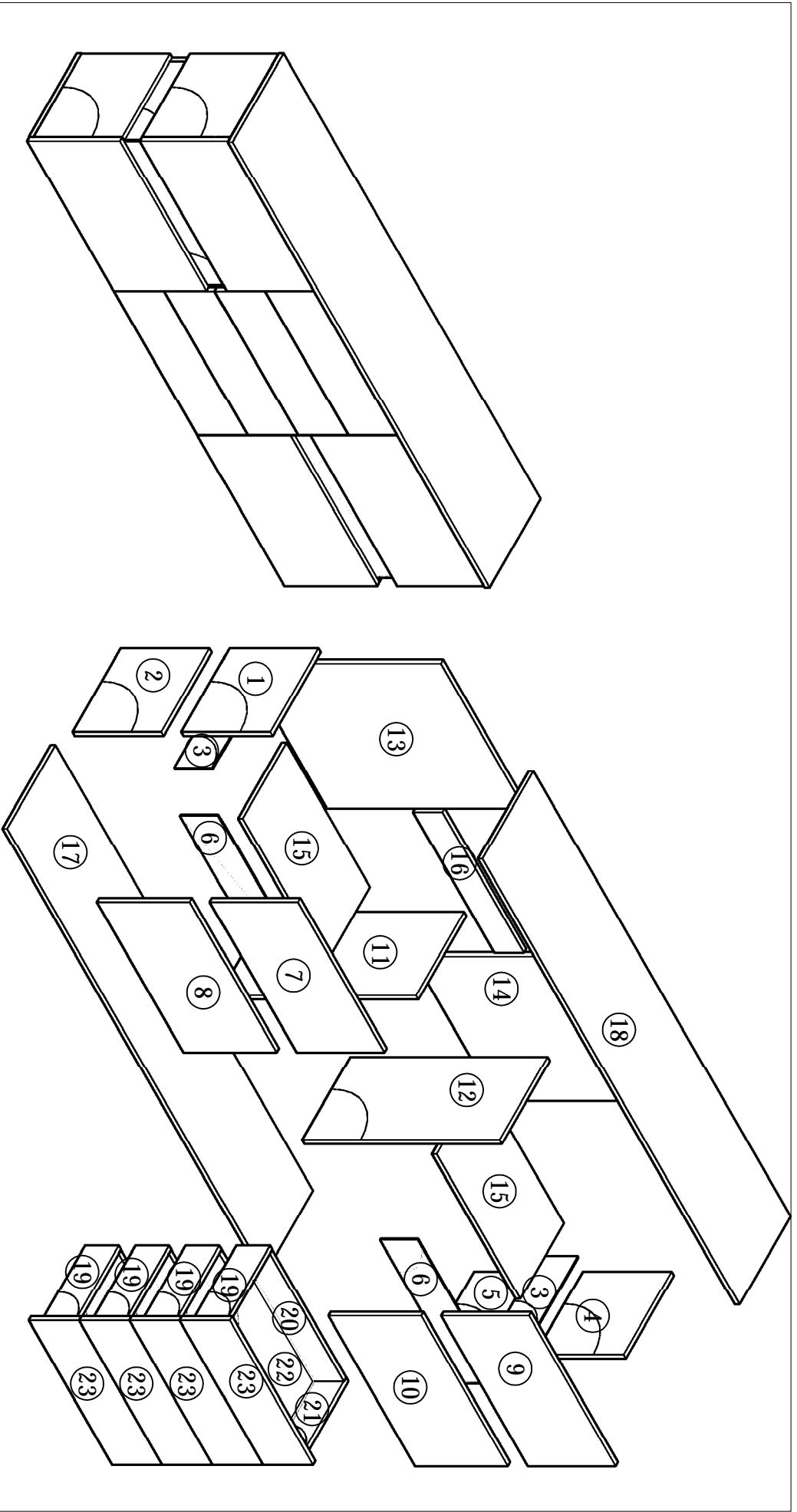
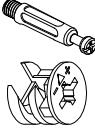
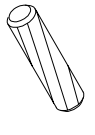
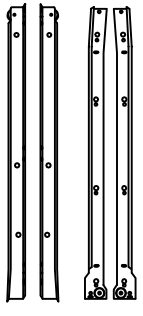

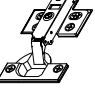

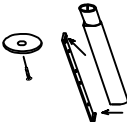
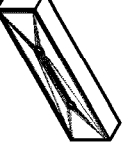

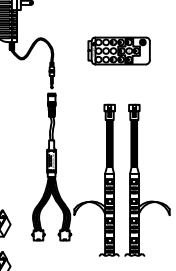
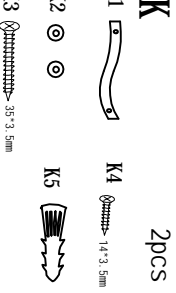
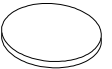


Code : 21998

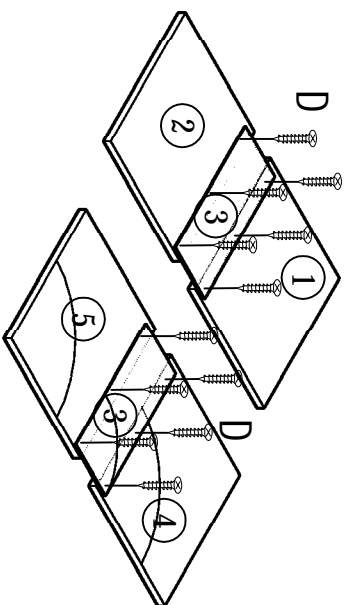


⚠ Warning Warning - Any furniture that is not anchored to a wall has the potential to tip over in certain circumstances, ie if a child attempts to climb up on the furniture or in the event of an earthquake. Accordingly, we recommend that all furniture is anchored to a wall. We supply a free safety wall anchor with all furniture sold and we recommend these are used to prevent your product tipping. See our blog here for more info on using wall anchors.



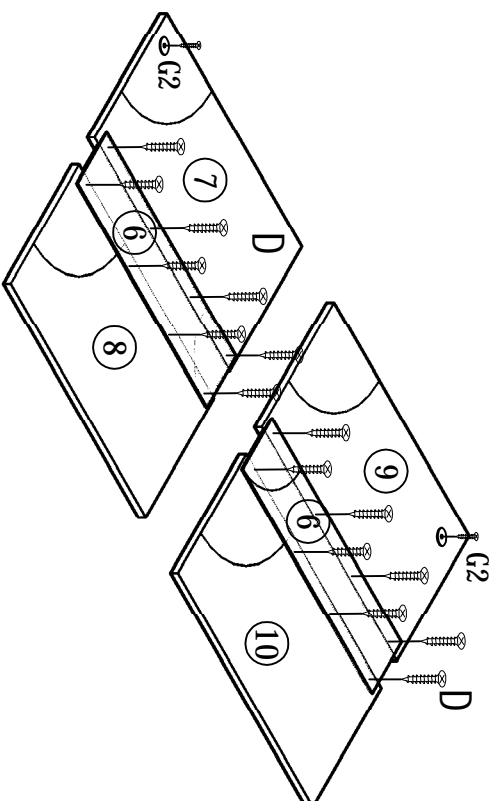
<p>A 66pcs</p> 	<p>B 14pcs</p> 	<p>C 10pcs</p> <p>C1</p> <p>C2</p> 	<p>4pcs</p>	<p>D 104pcs</p>  <p>E 4pcs</p> 	<p>F 16pcs</p> 	<p>G 6pcs</p> <p>G1</p> <p>G2</p> 	<p>H 5pcs</p> 	<p>I 20*3.5MM</p> 	<p>J 1pcs</p> 	<p>K 2pcs</p> <p>K1</p> <p>K2</p> <p>K3</p> <p>K4</p> <p>K5</p> 	<p>L 66pcs</p> 
---	---	---	-------------	---	---	--	---	--	--	--	--

1



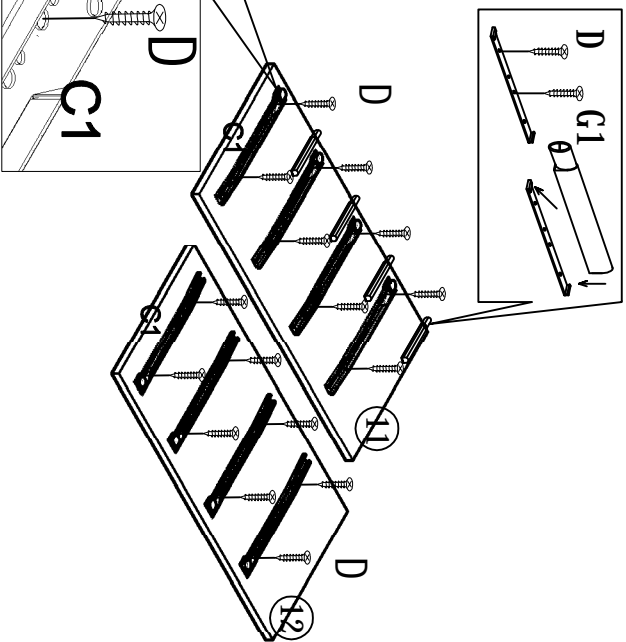
D*12

2



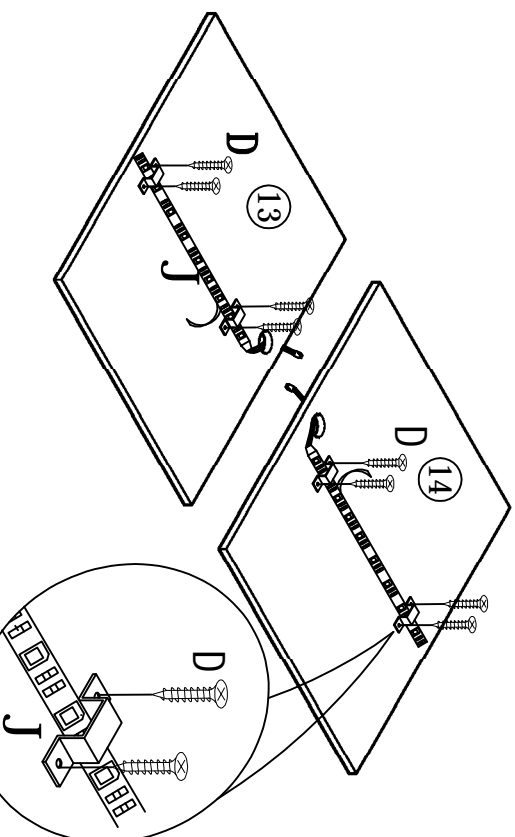
D*16 G2*2

3



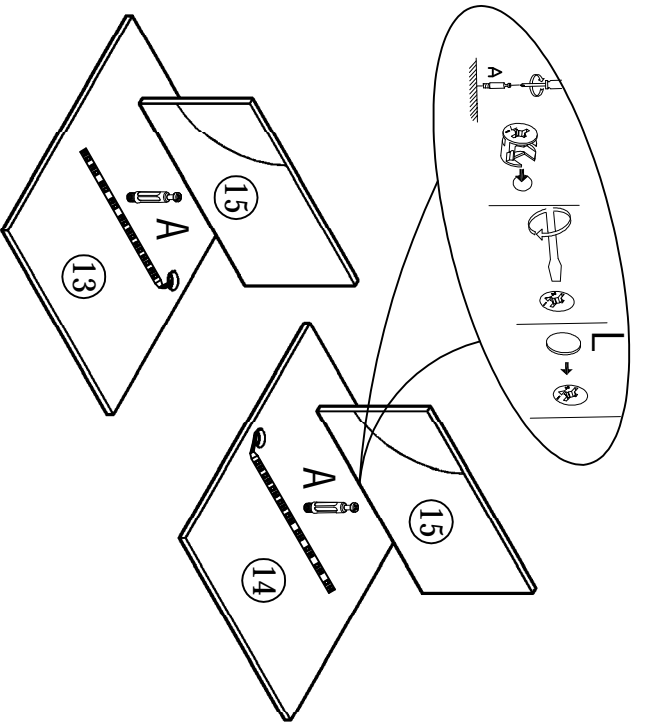
C1*8 D*24 G1*4

4

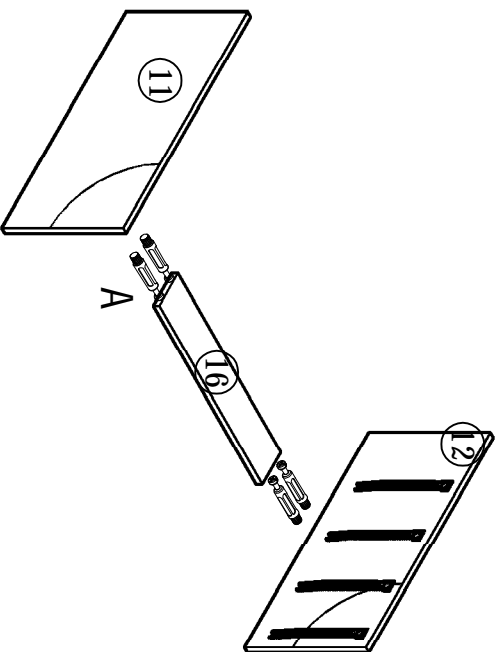


D*8 J*2

5



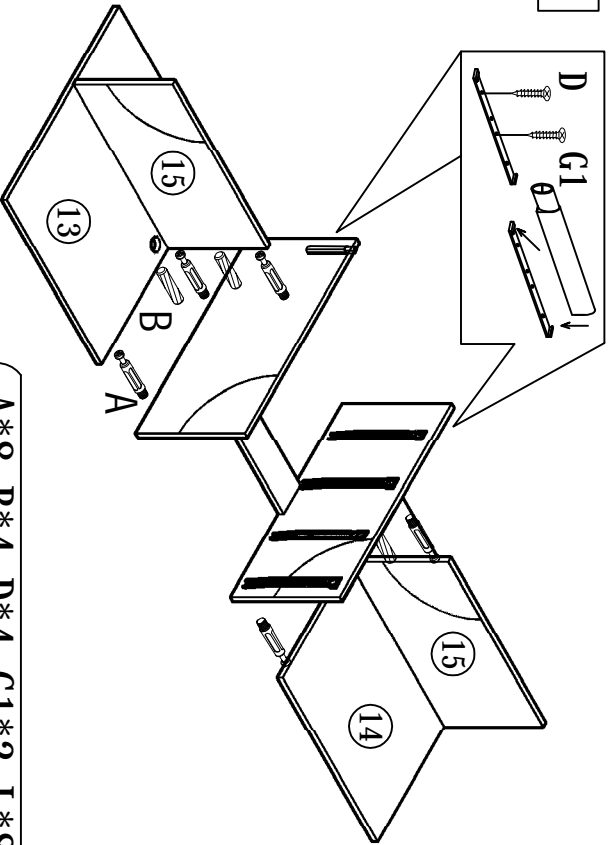
6



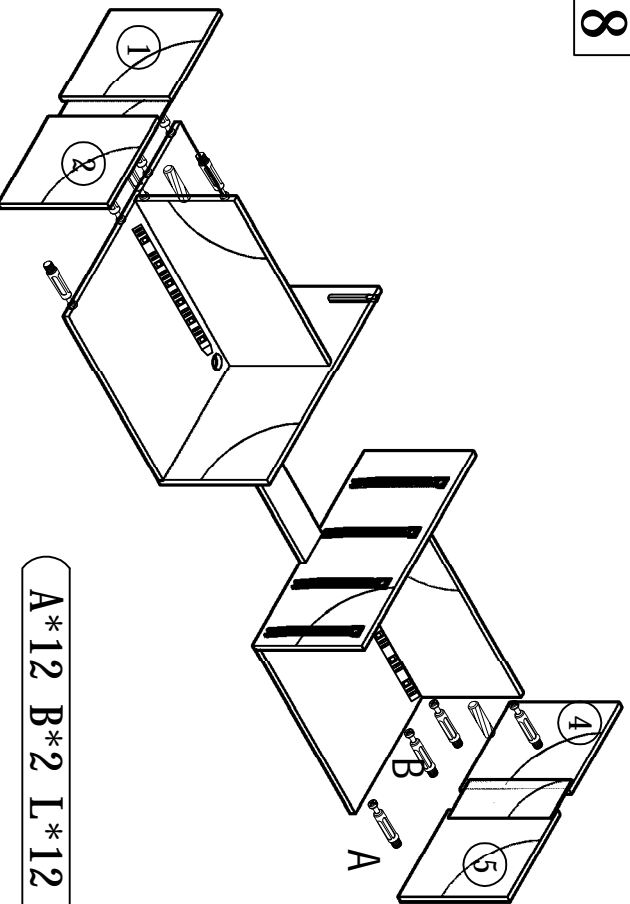
A*2 L2

A*4 L*4

7



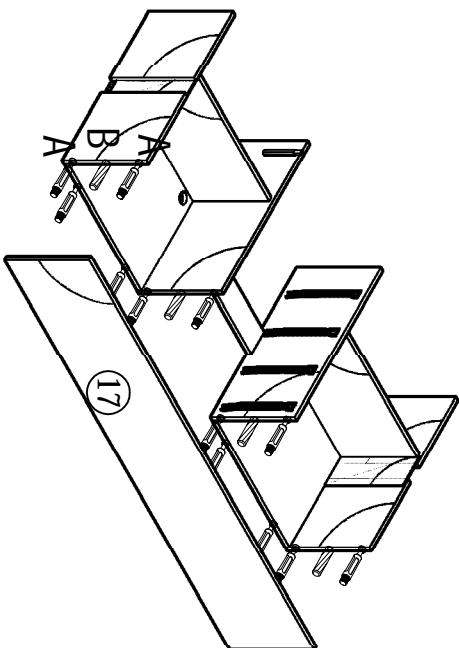
8



A*8 B*4 D*4 G1*2 L*8

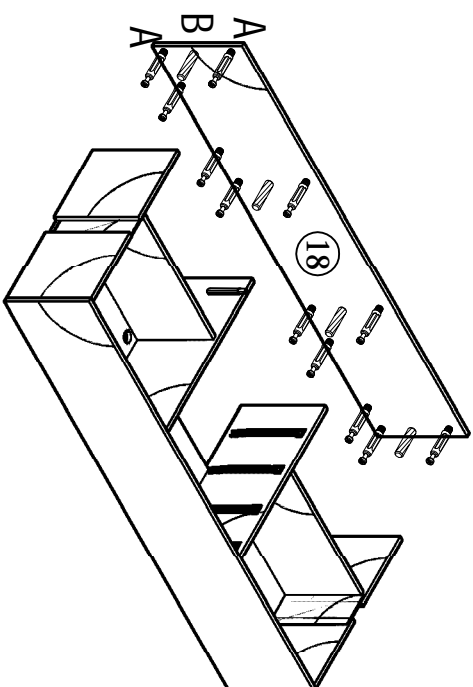
A*12 B*2 L*12

9



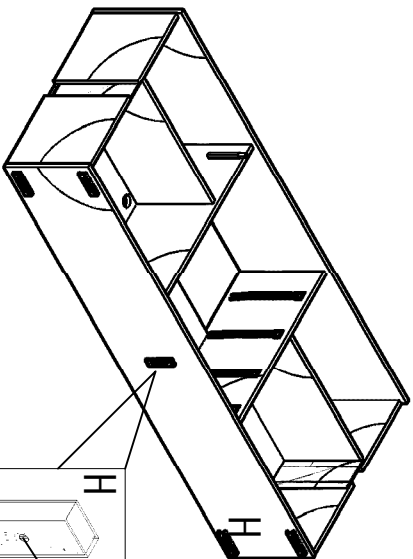
A*12 B*4 L*12

10

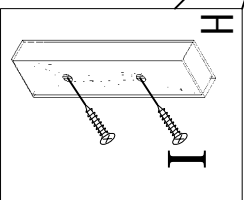


A*12 B*4 L*12

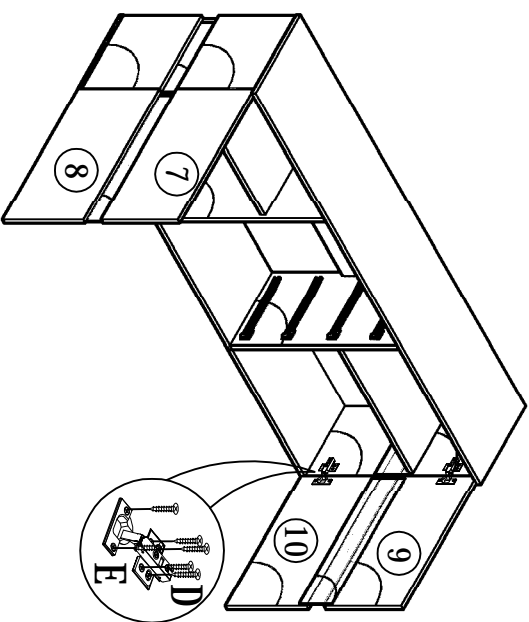
11



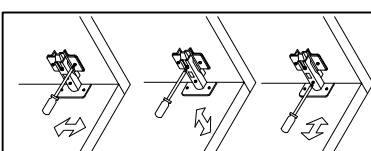
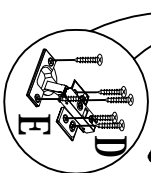
H*5 I*10



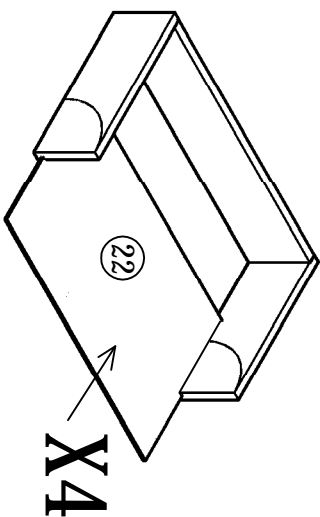
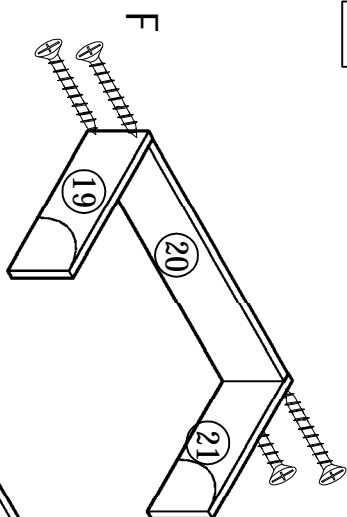
12



D*24 E*4

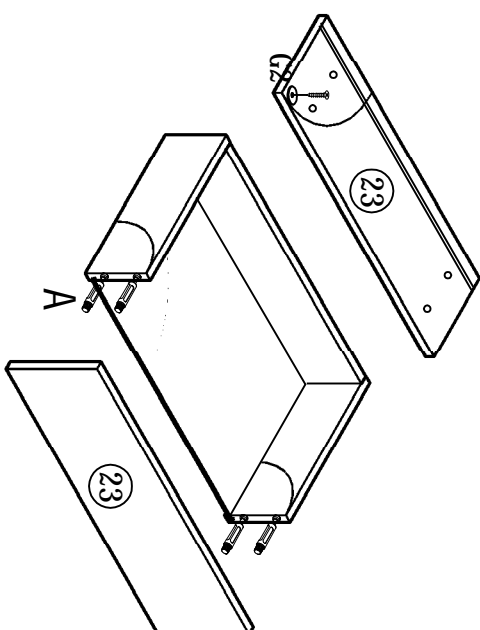


13



F*4

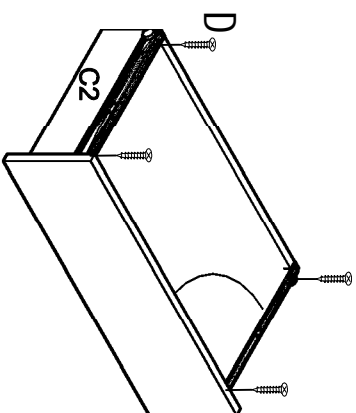
14



A*4 G2*1 L*4

X4

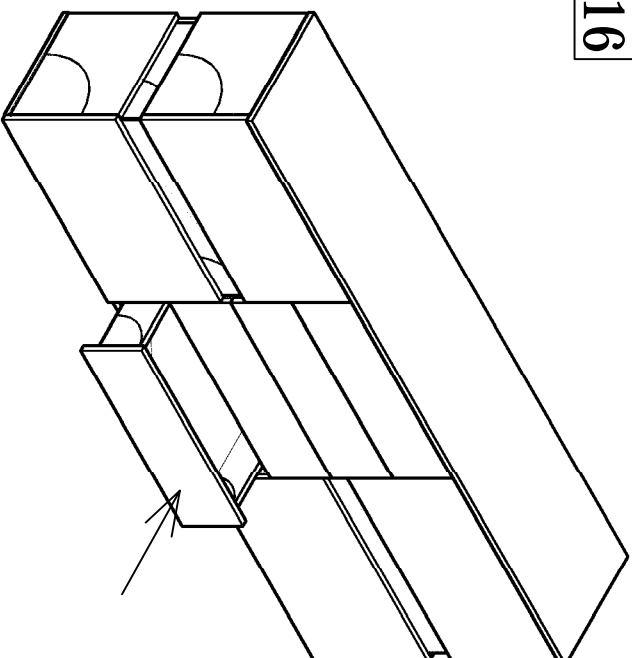
15

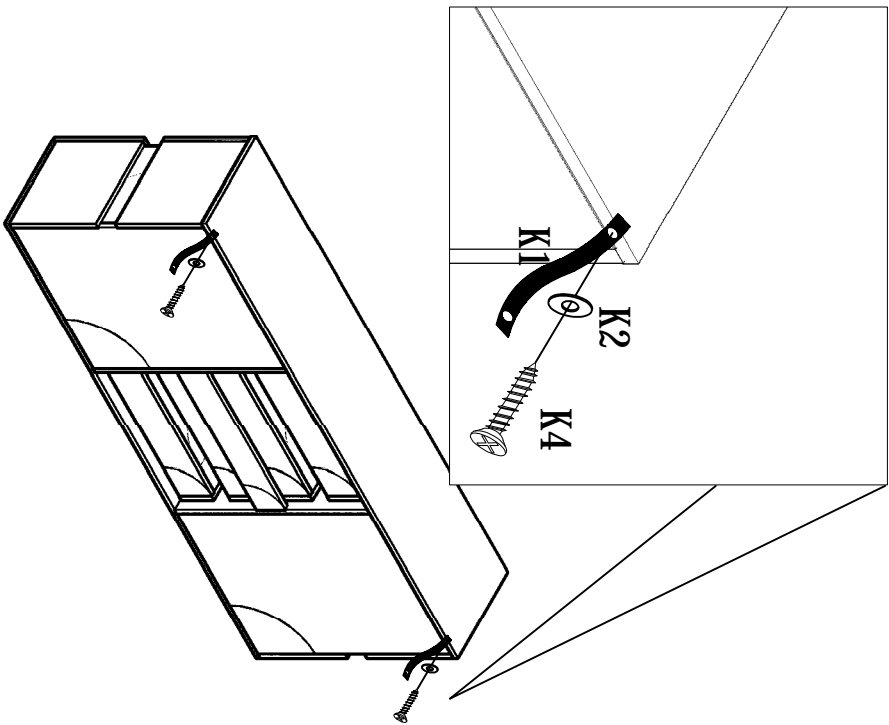


C2*2 D*4

X4

16





K*2

