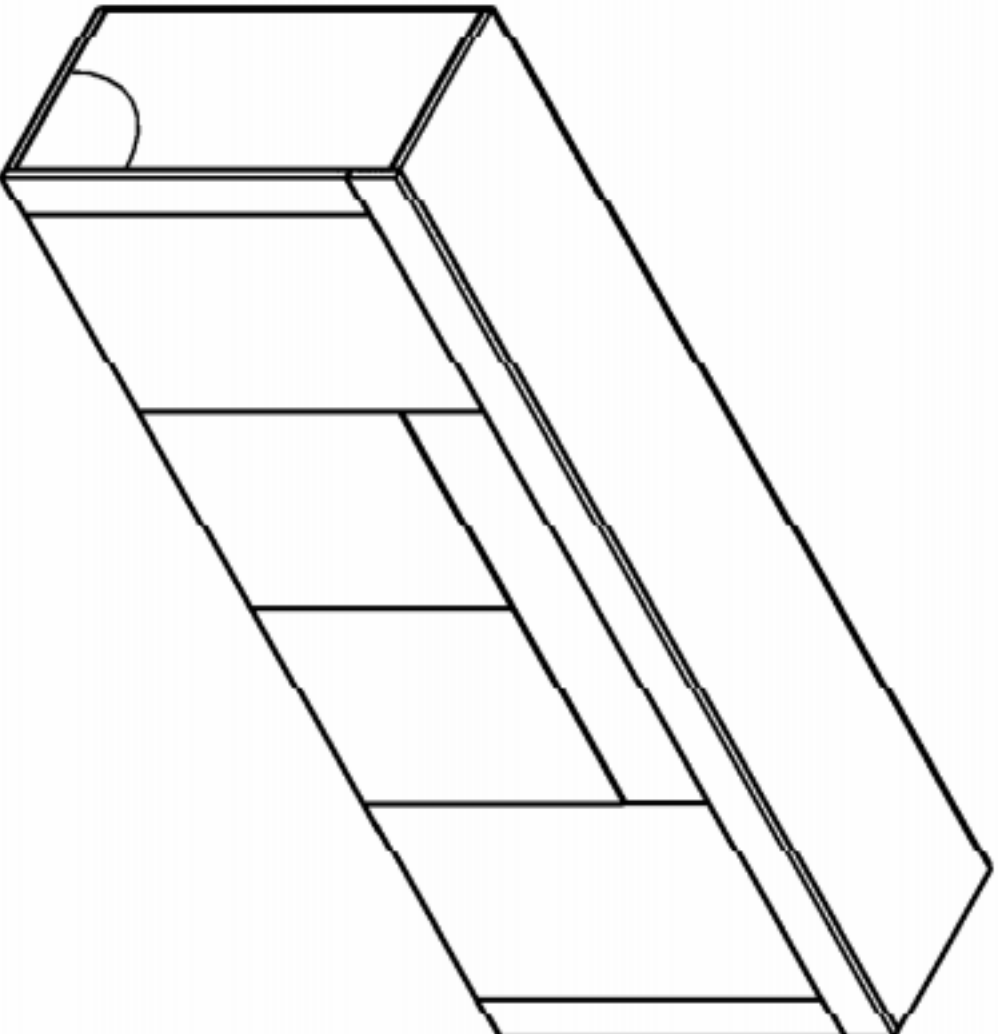
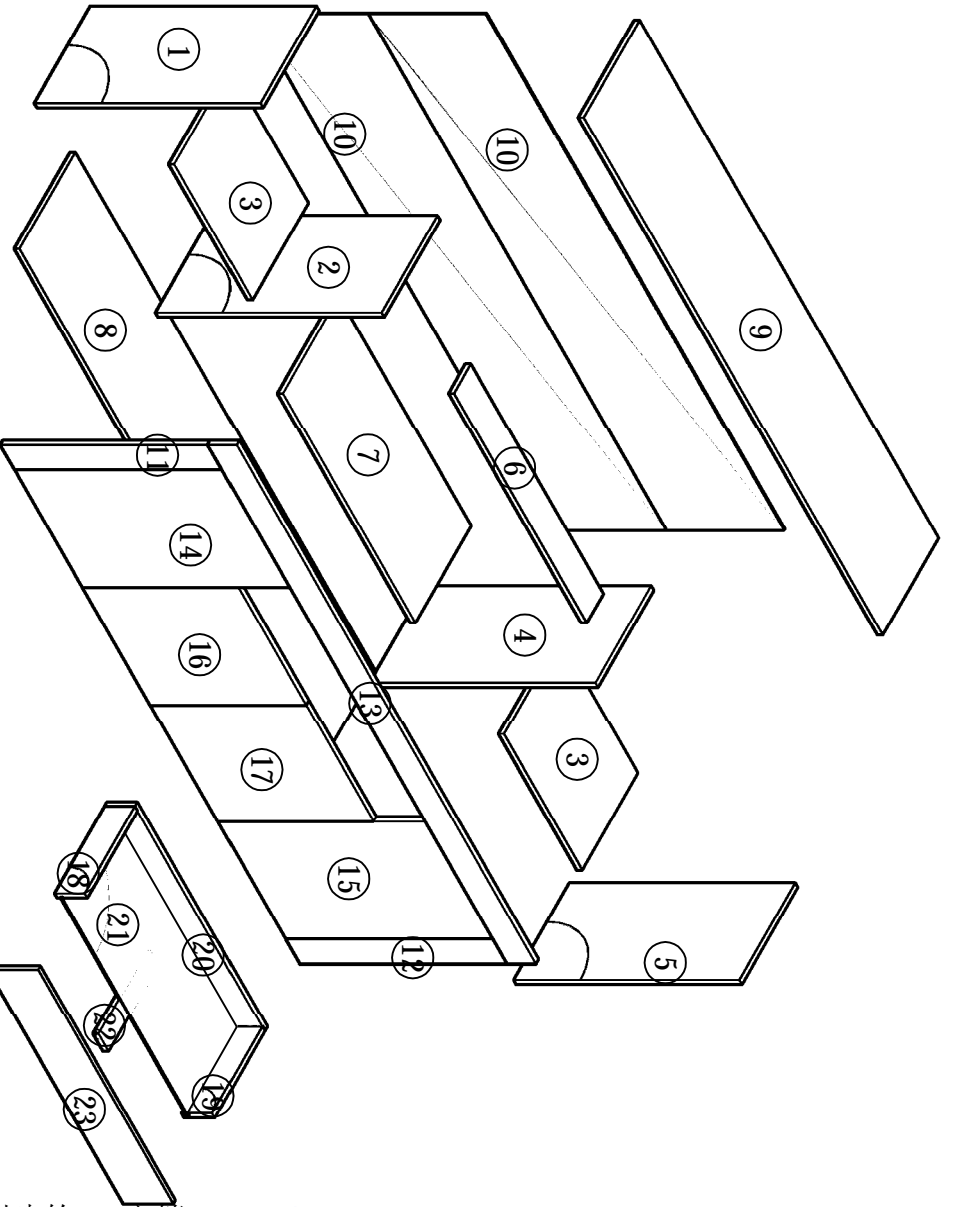
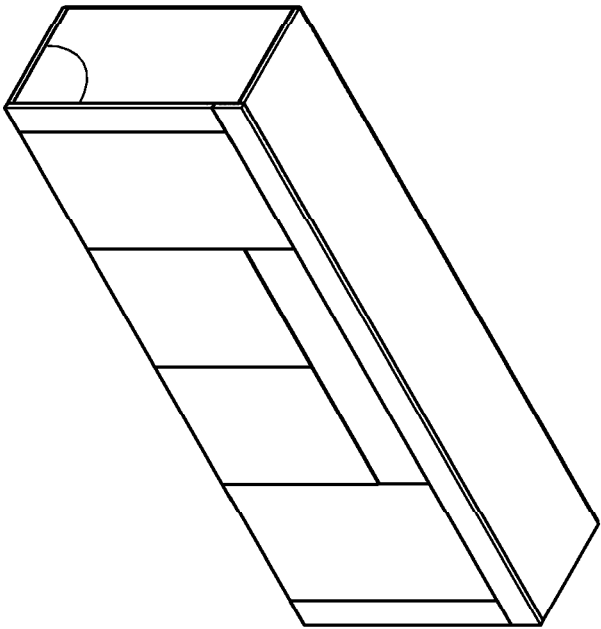
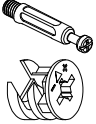

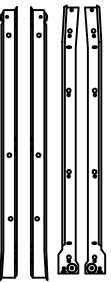

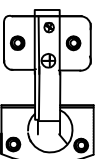



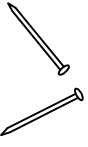
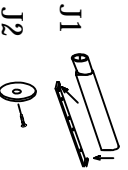

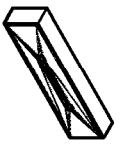






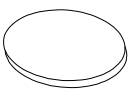


Code : 21997

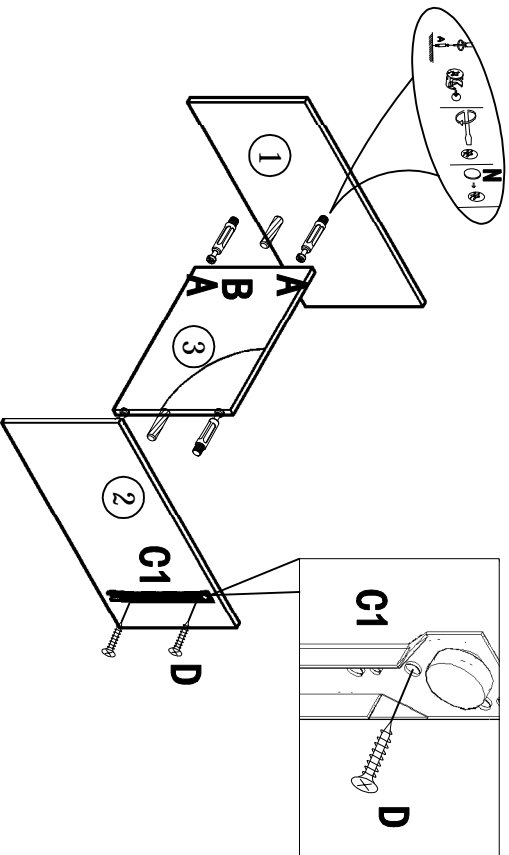


⚠ Warning Warning - Any furniture that is not anchored to a wall has the potential to tip over in certain circumstances, ie if a child attempts to climb up on the furniture or in the event of an earthquake. Accordingly, we recommend that all furniture is anchored to a wall. We supply a free safety wall anchor with all furniture sold and we recommend these are used to prevent your product tipping. See our blog here for more info on using wall anchors.



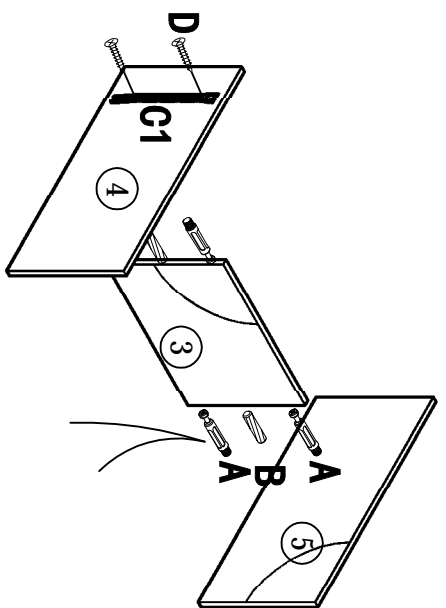
A	55pcs	B	14pcs	C	1pcs	D	58pcs	E	4pcs	F	4pcs
											
G	4pcs	H	1pcs	I	60pcs	J	5pcs	K	10pcs	L	5pcs
											
										M	2pcs
											
											
											
											N
											

1



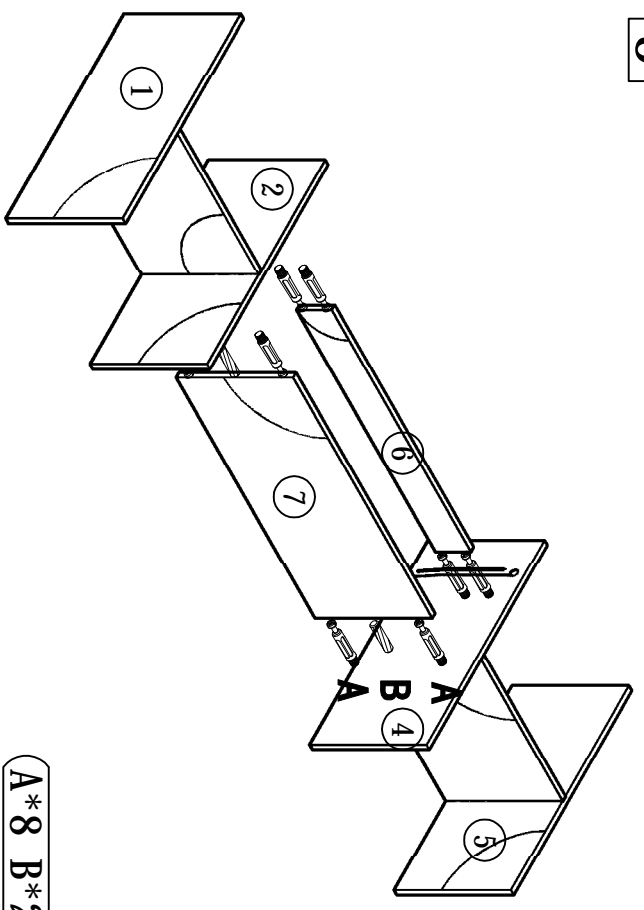
(A*4 B*2 C1*1 D*2 N*4)

2



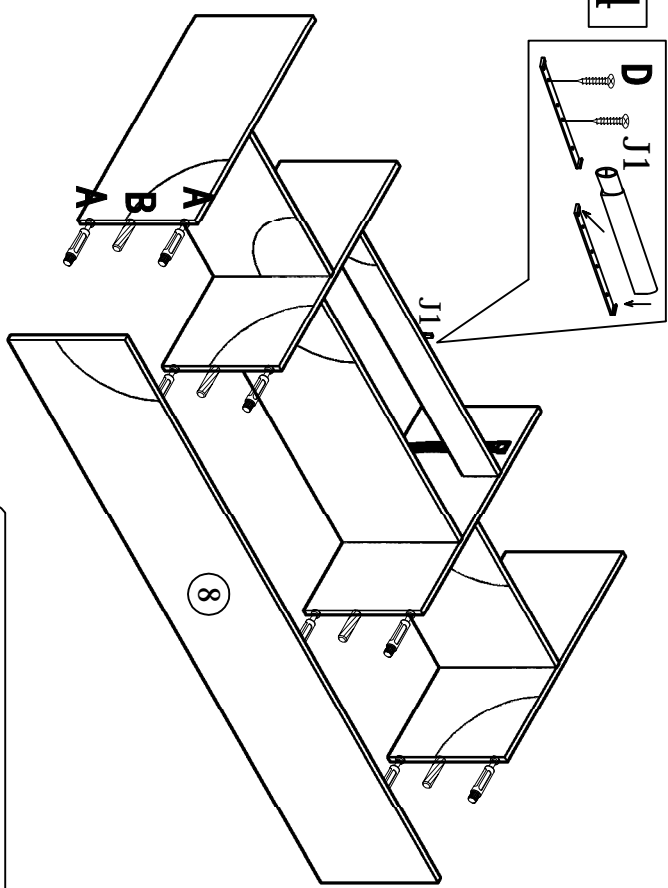
(A*4 B*2 C1*1 D*2 N*4)

3



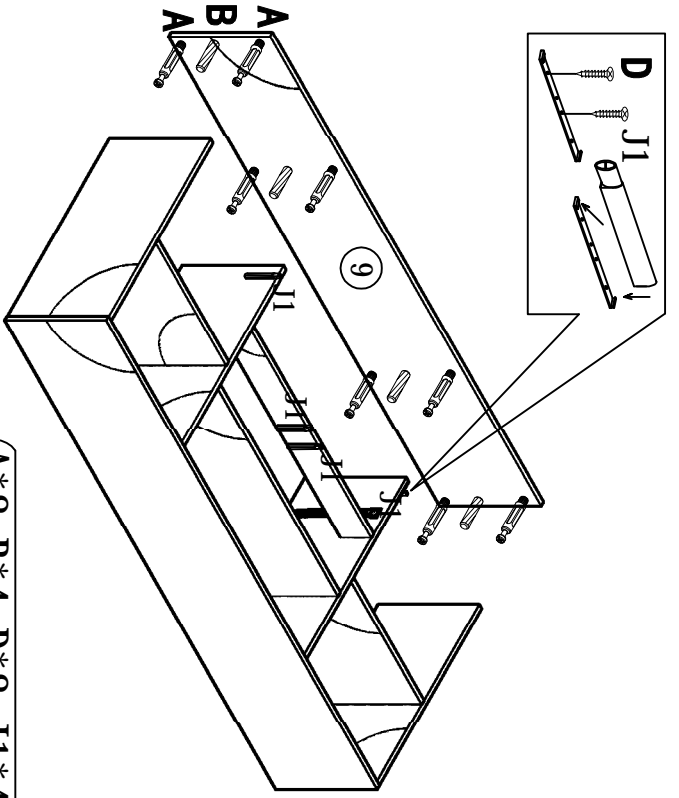
(A*8 B*2 N*8)

4



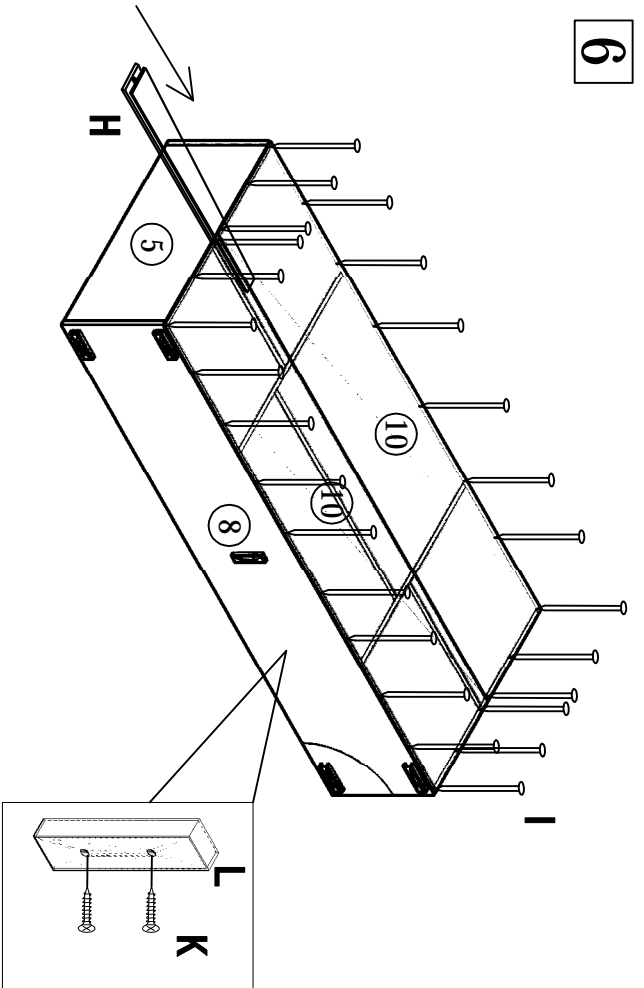
(A*8 B*4 D*2 J1*1 N*8)

5



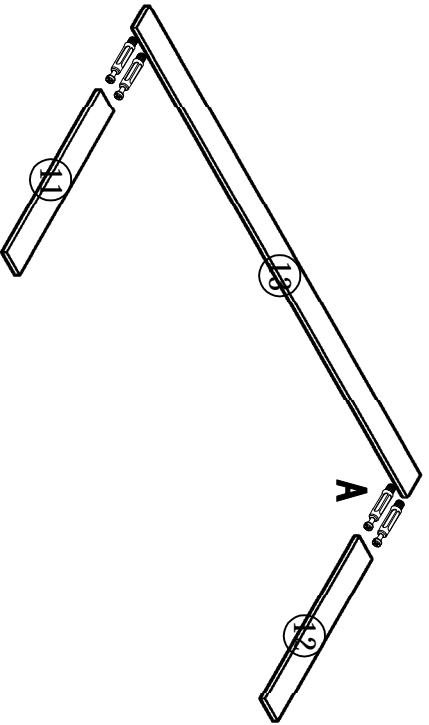
A*8 B*4 D*8 J1*4 N*8

6



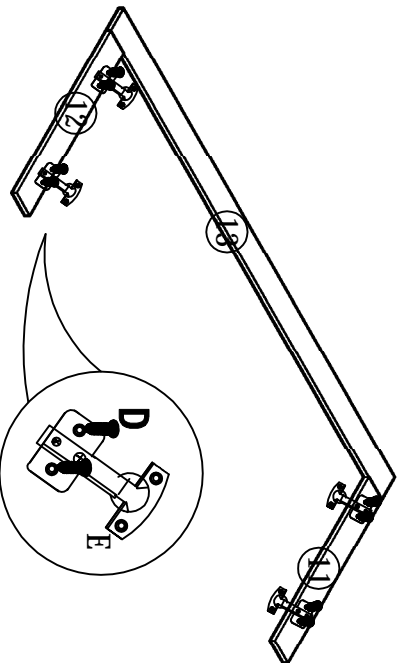
H*1 I*60 K*12 L*6

7

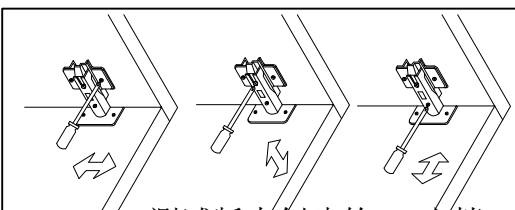


A*4 N*4

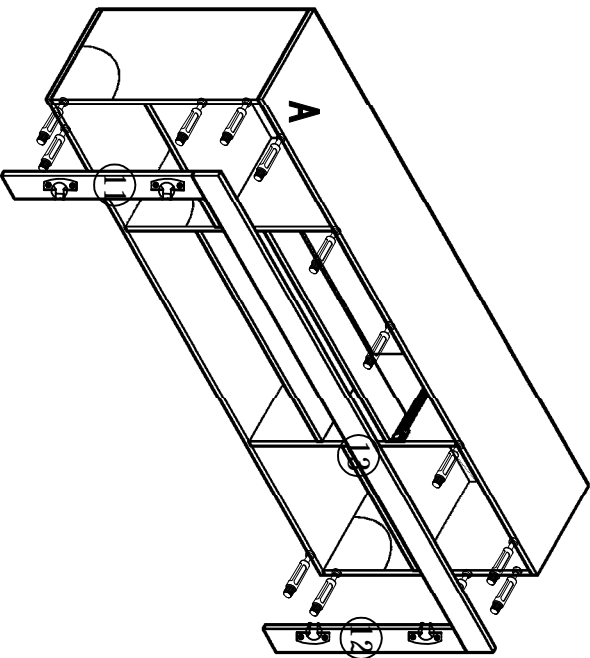
8



D*8 E*4

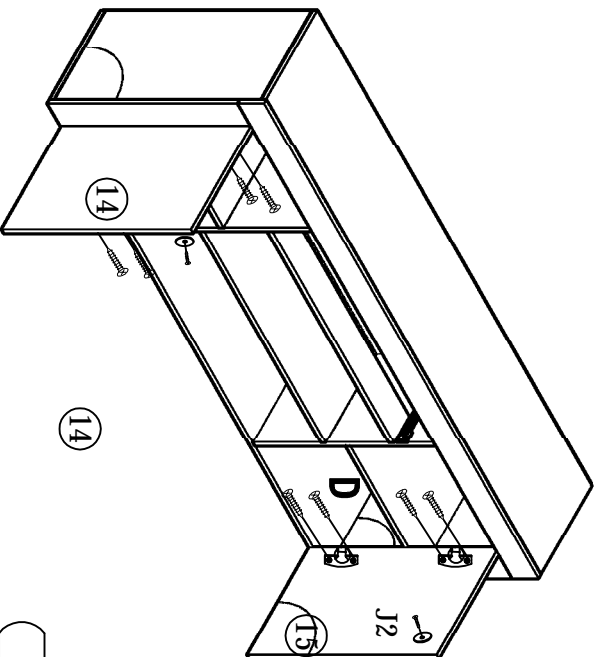


9



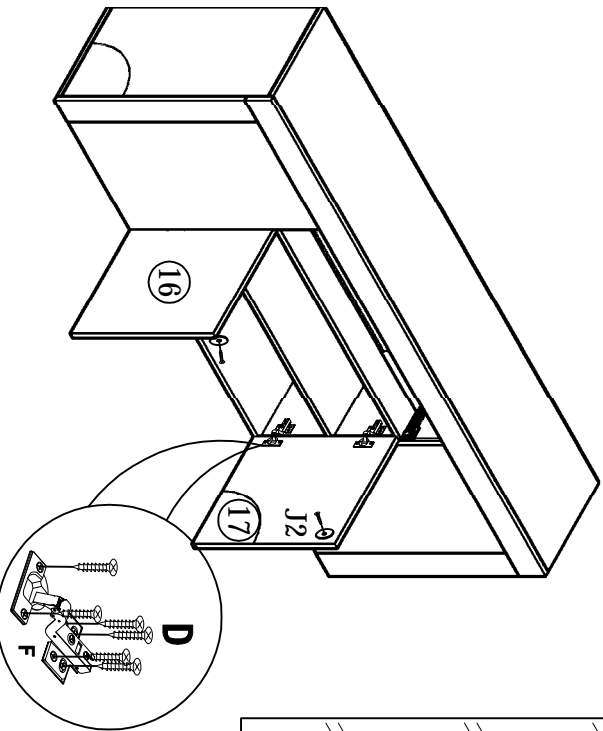
A*13 N*13

10



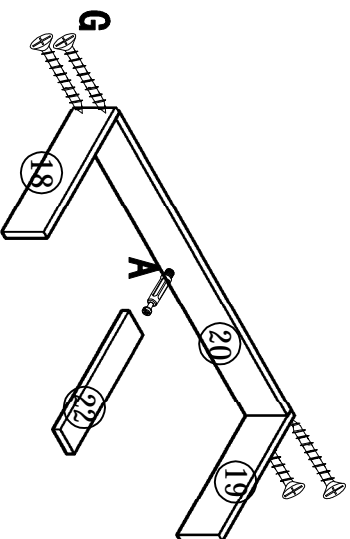
D*8 J2*2

11



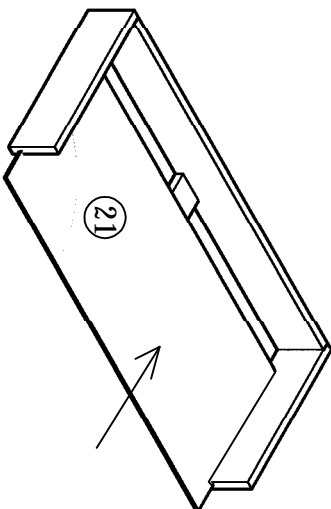
D*24 F*4 J2*2

12

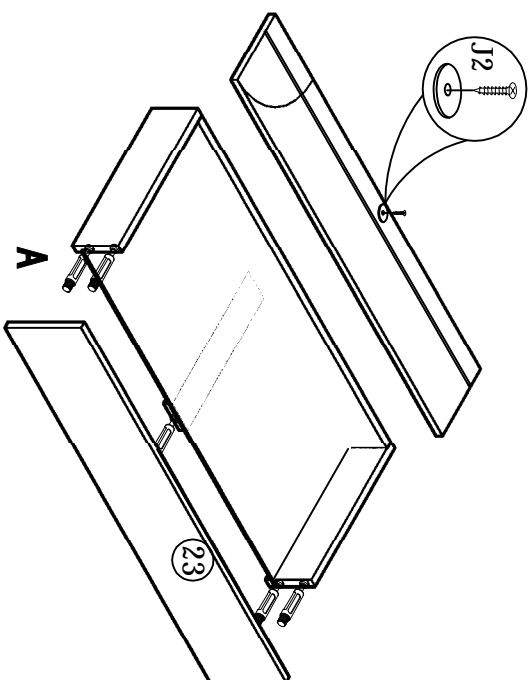


A*1 G*4 N*1

13

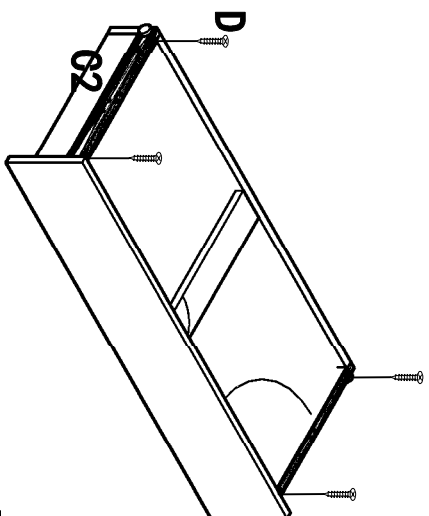


14



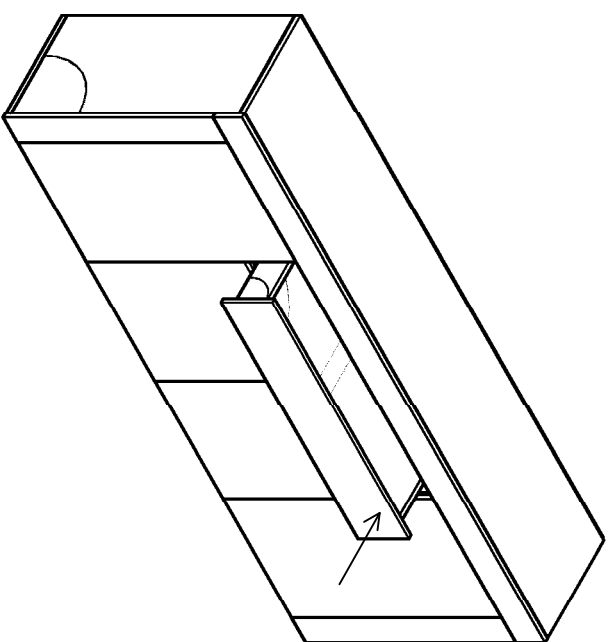
A*5 J2*1 N*5

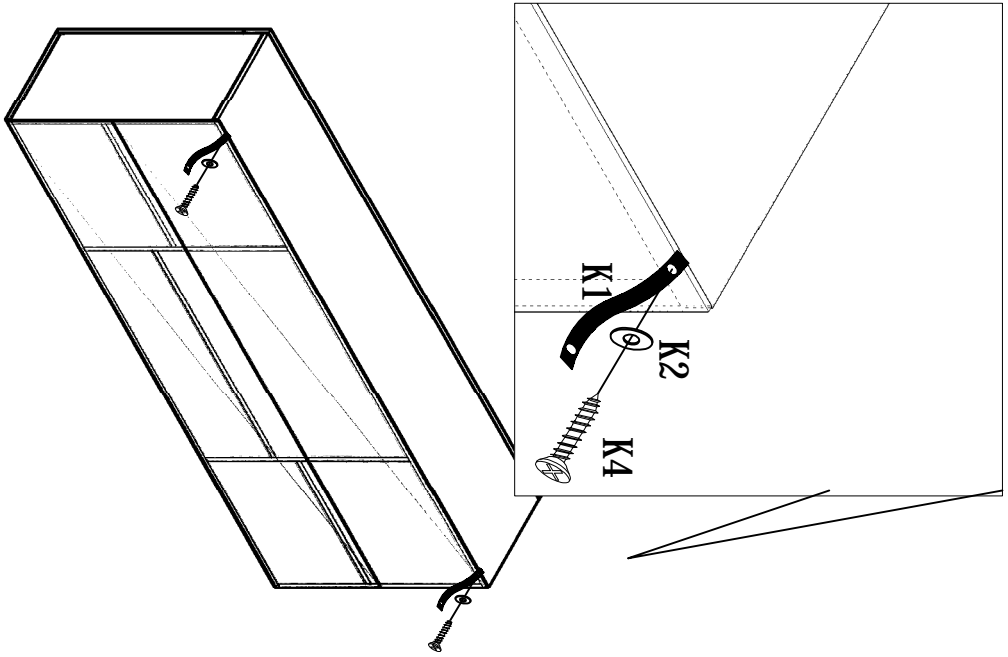
15



C2*2 D*4

16





M*2

