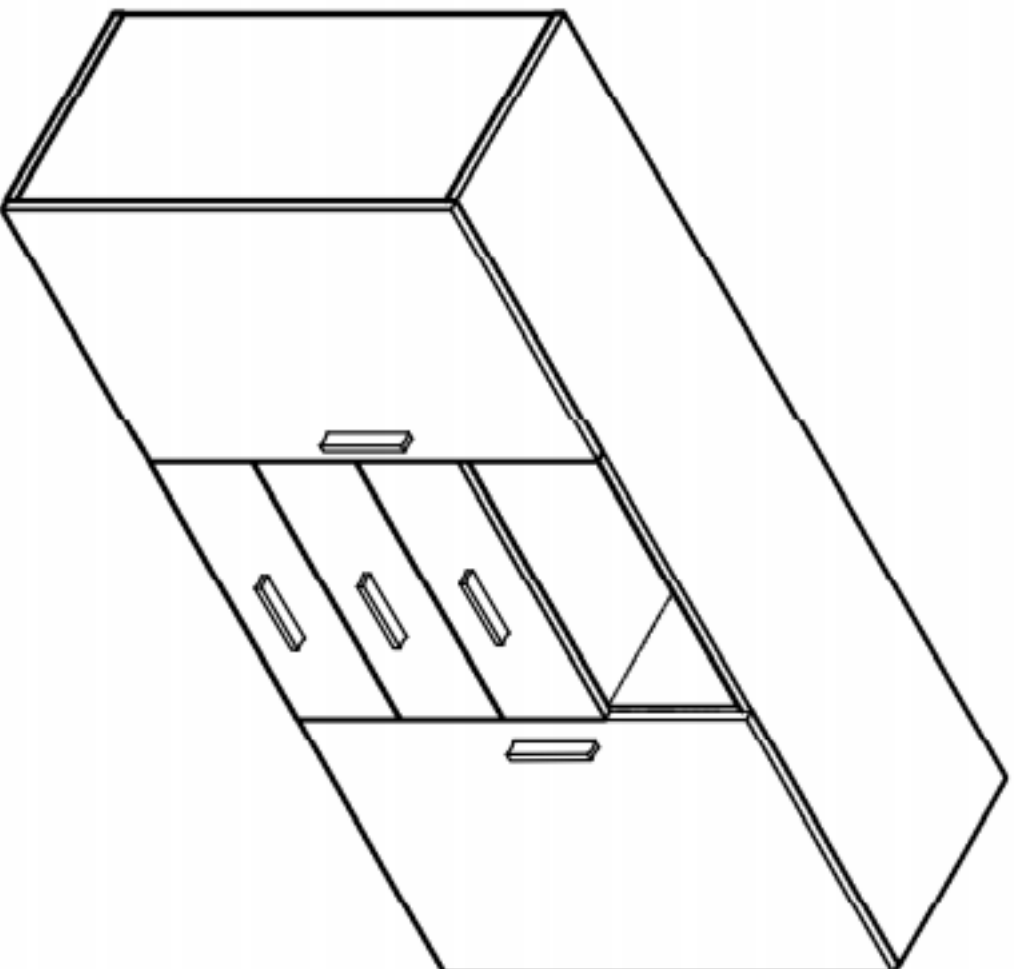
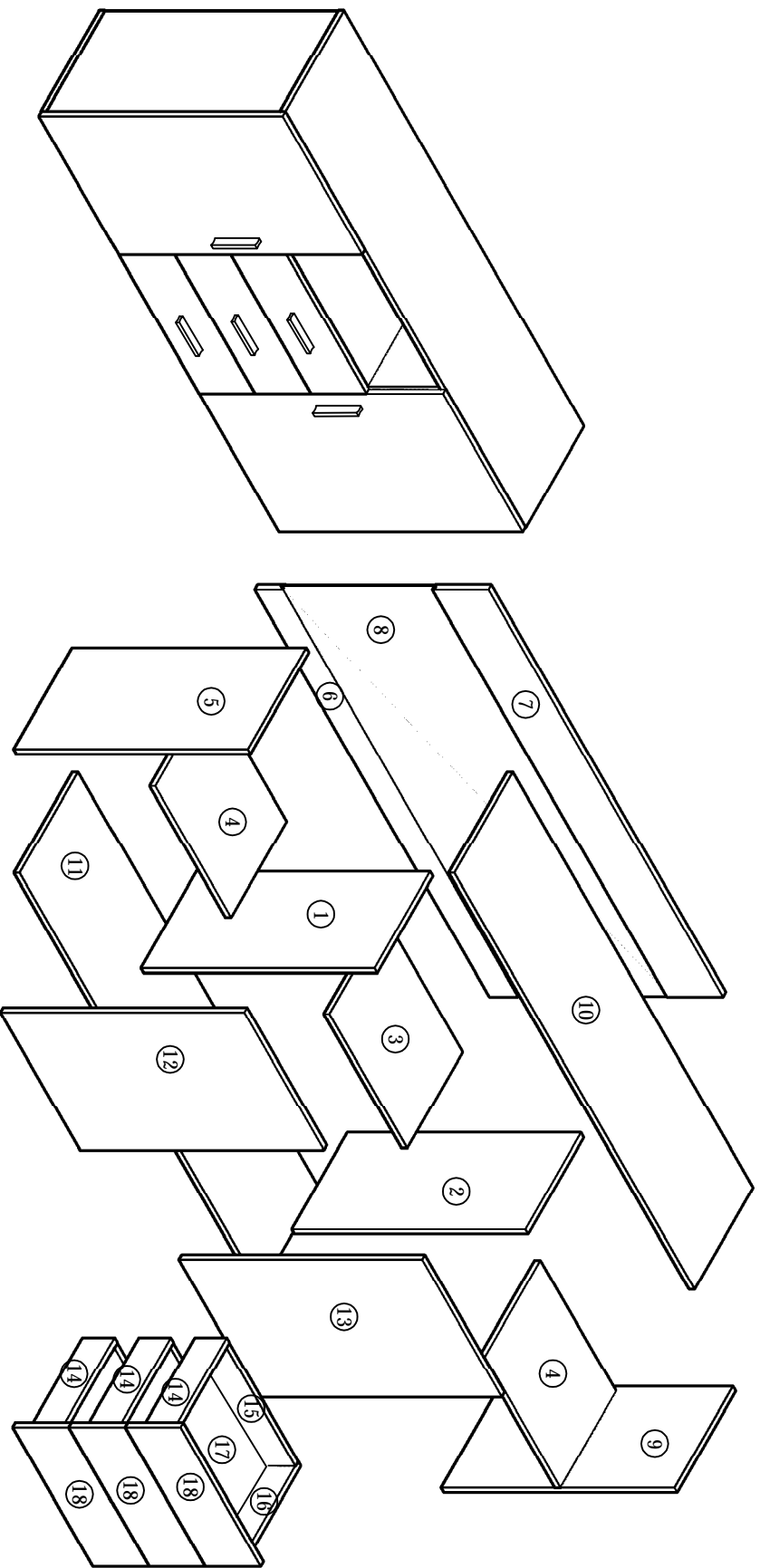
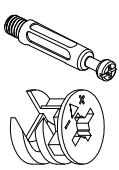
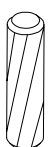
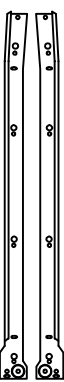
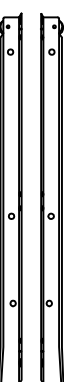

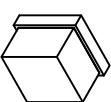

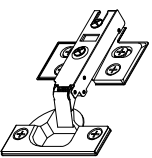
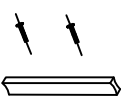
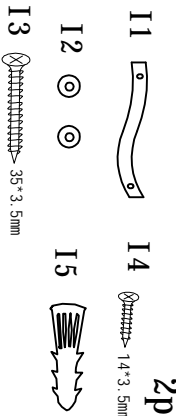
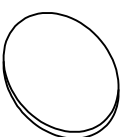


## Code : 21996

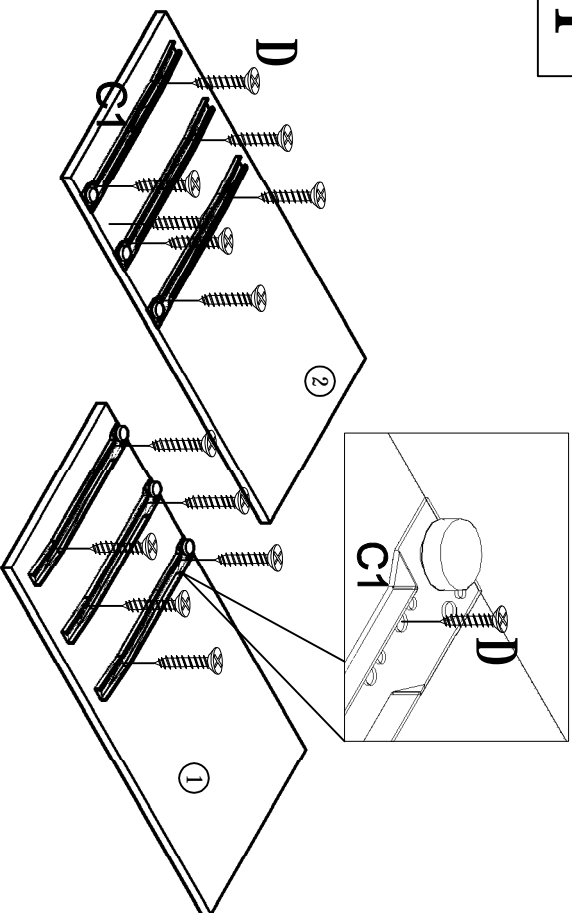


**⚠** Warning Warning - Any furniture that is not anchored to a wall has the potential to tip over in certain circumstances, ie if a child attempts to climb up on the furniture or in the event of an earthquake. Accordingly, we recommend that all furniture is anchored to a wall. We supply a free safety wall anchor with all furniture sold and we recommend these are used to prevent your product tipping. See our blog here for more info on using wall anchors.



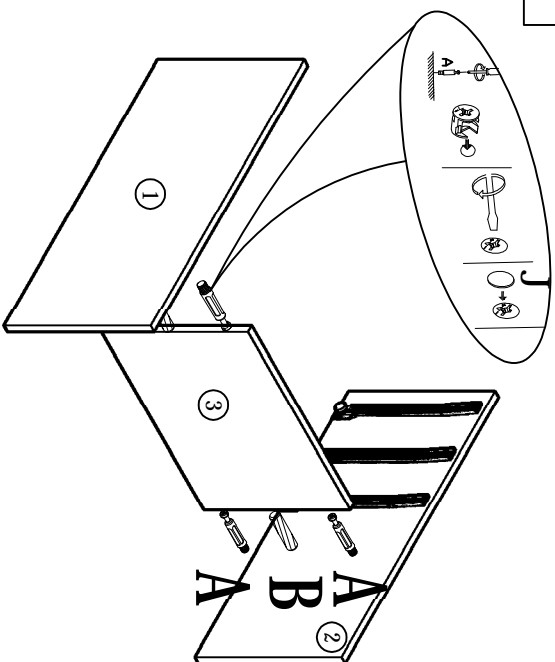
<b>A</b>  54pcs	<b>B</b>  14pcs	<b>C</b> <b>C1</b>  3pcs <b>C2</b>  3pcs	<b>D</b>  68pcs 14*3.5	<b>E</b>  5pcs
<b>F</b>  12pcs 35*3.5	<b>G</b>  4pcs	<b>H</b>  5pcs	<b>I</b>  2pcs I1 I2 I3 I4 I5 14*3.5mm 35*3.5mm	<b>J</b>  54pcs

1



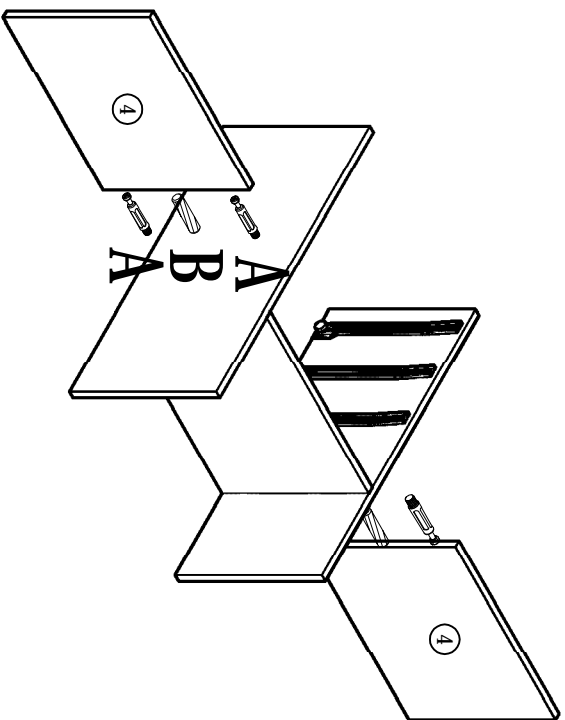
C1\*6 D\*12

2



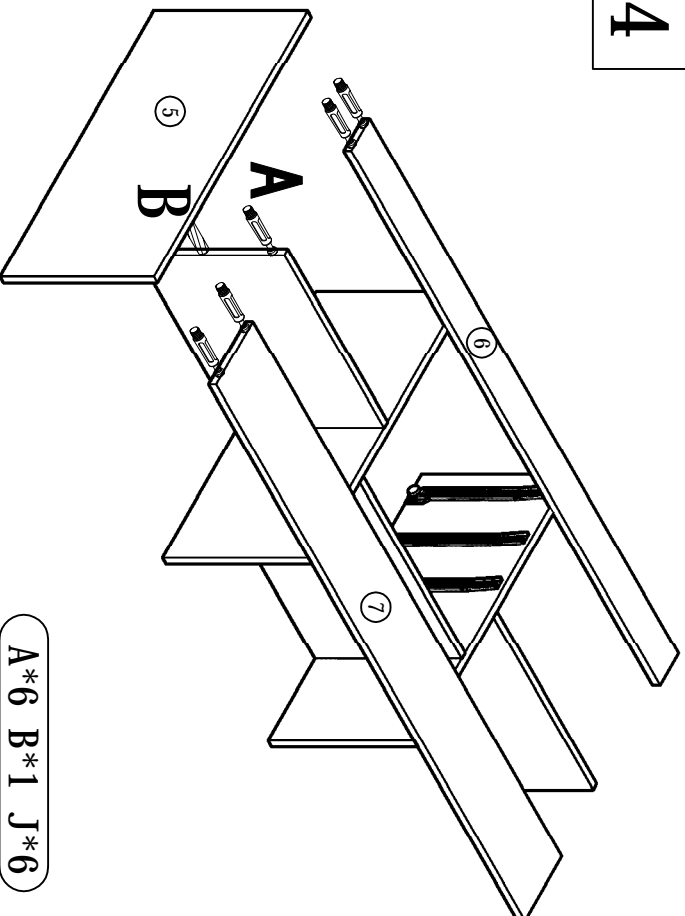
A\*4 B\*2 J\*4

3



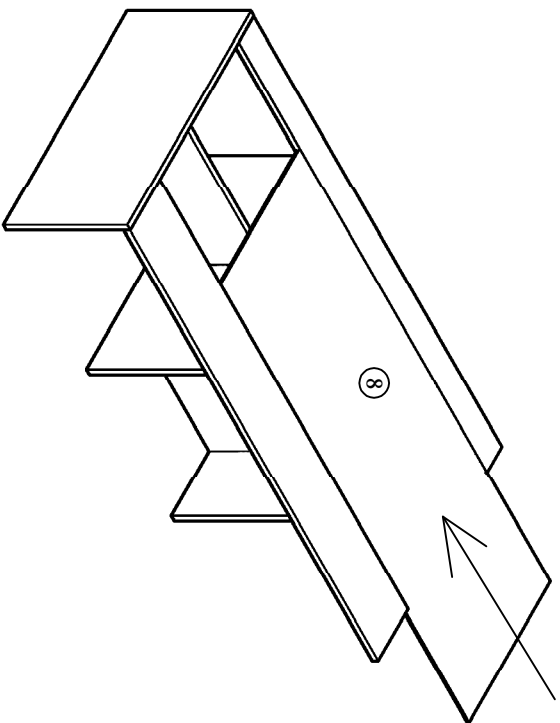
A\*4 B\*2 J\*4

4

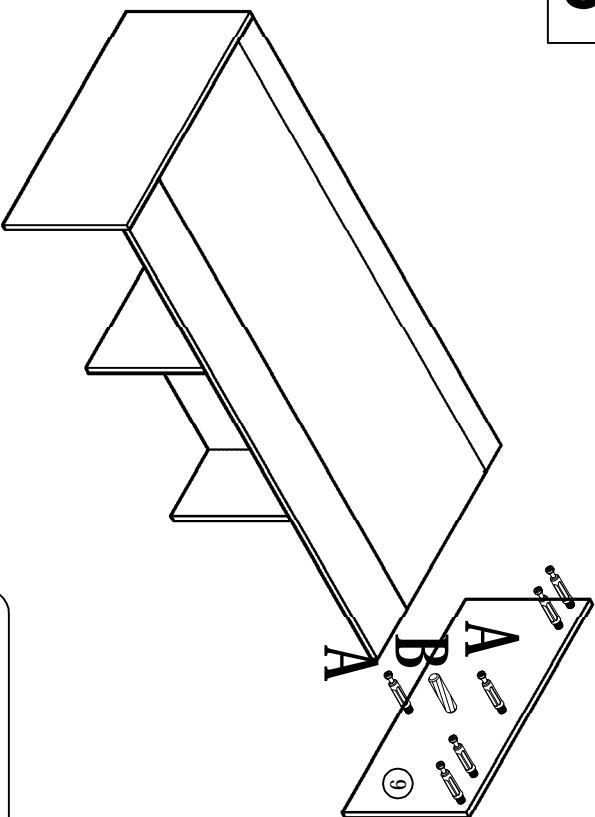


A\*6 B\*1 J\*6

5

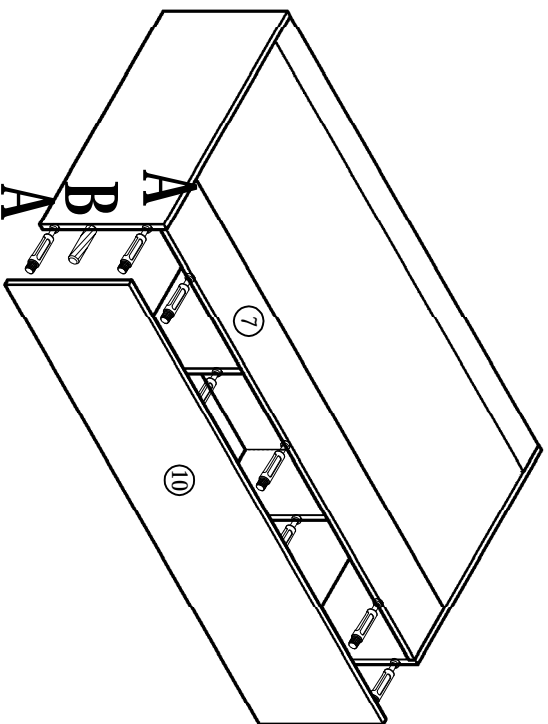


6



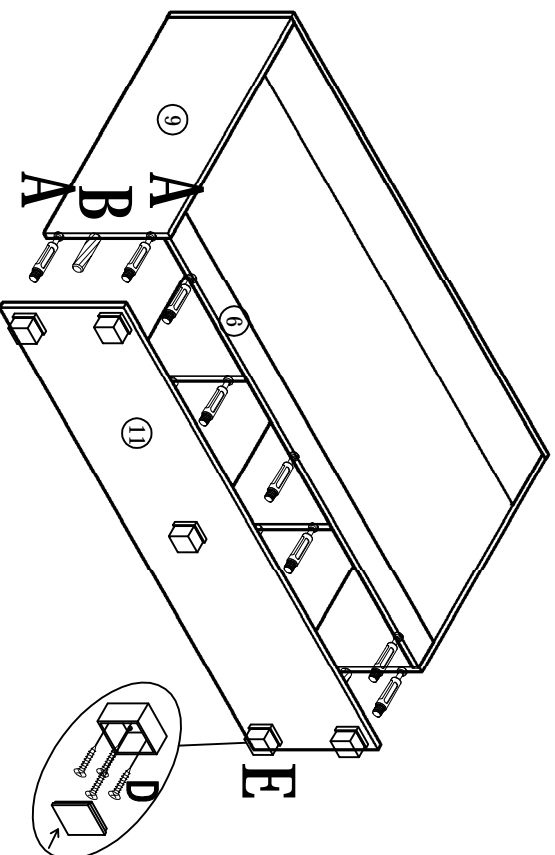
A\*6 B\*1 J\*6

7



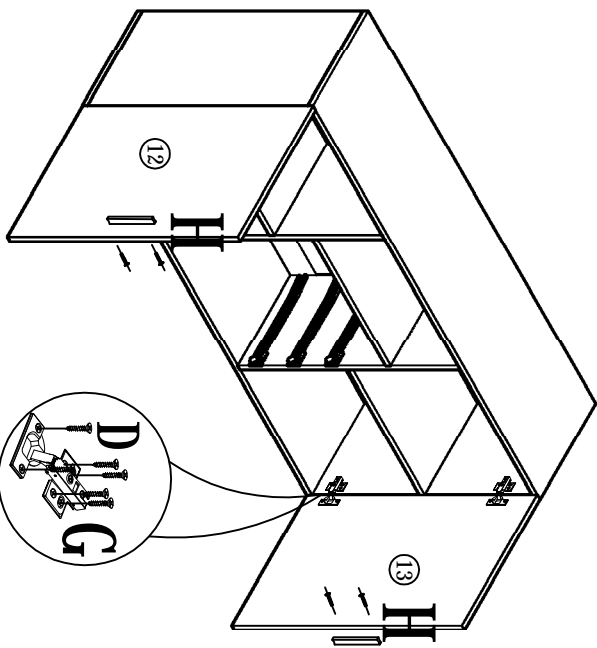
A\*11 B\*4 J\*11

8



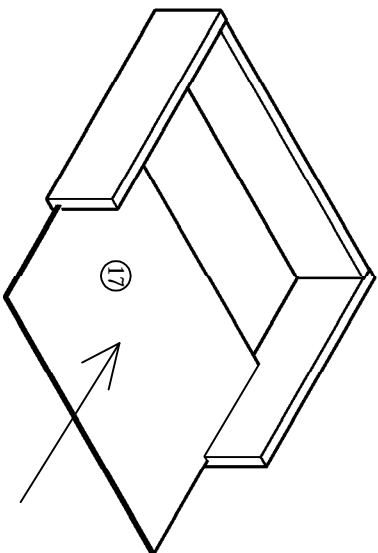
A\*11 B\*4 D\*20 E\*5 J\*11

9



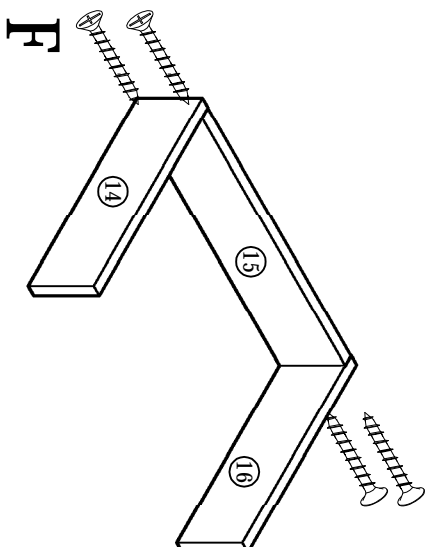
D\*24 G\*4 H\*2

11



X3

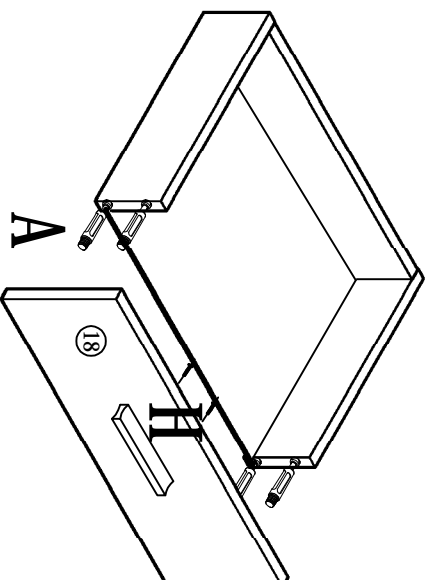
10



X3

F\*4

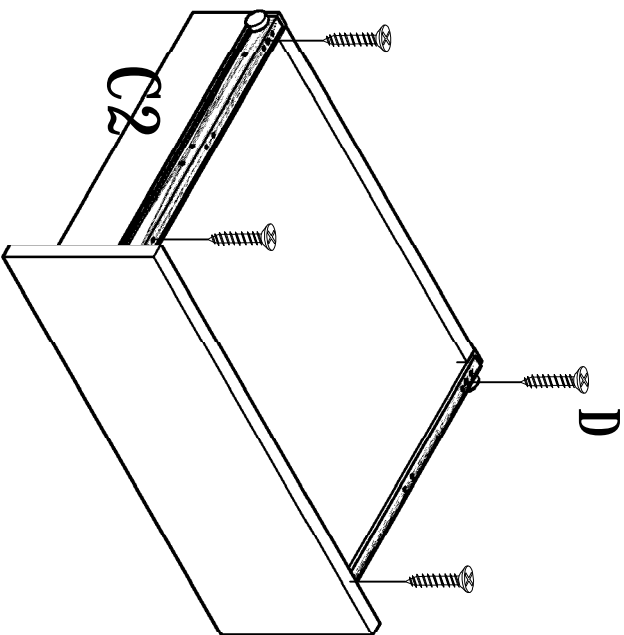
12



X3

A\*4 H\*1 J\*4

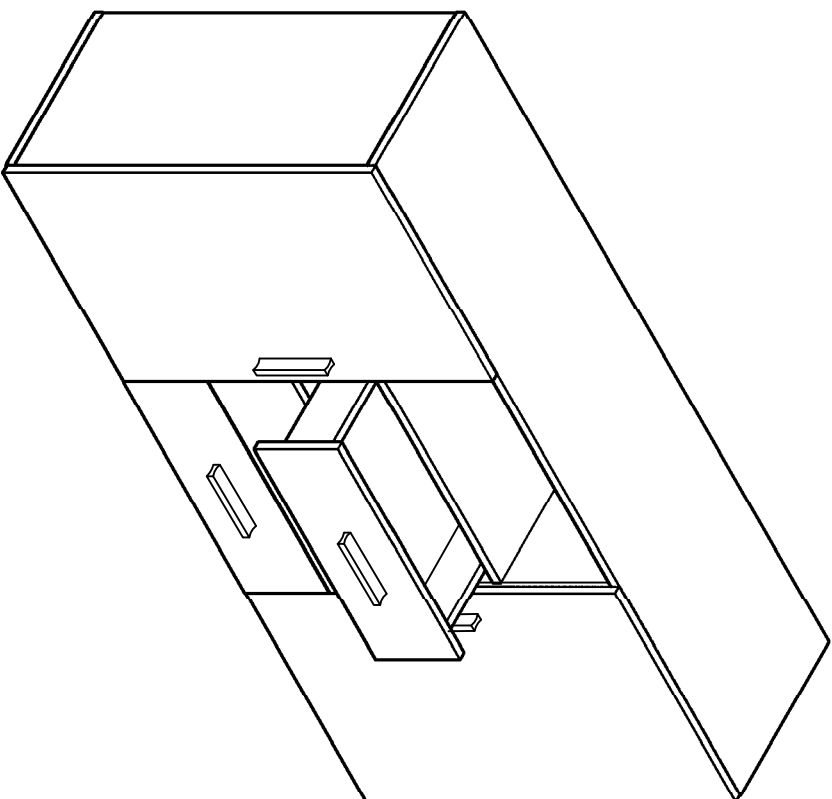
13

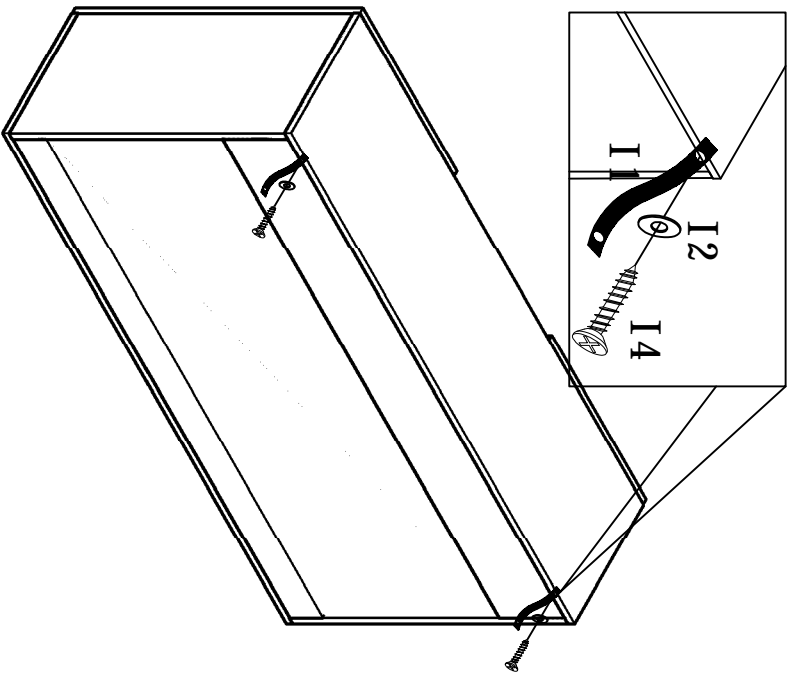


X3

C1\*1 D\*4

14





I\*2

