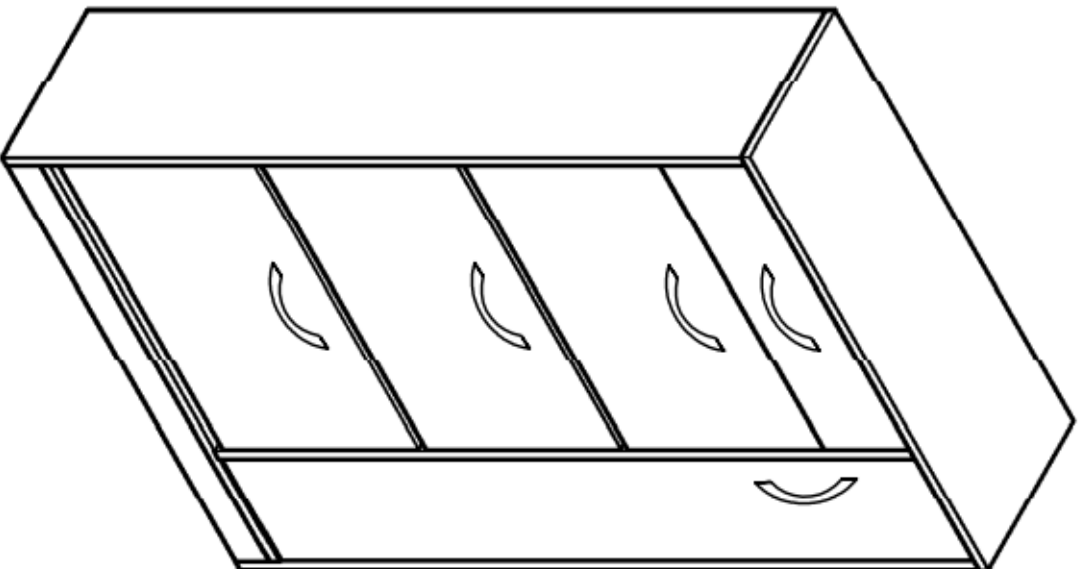
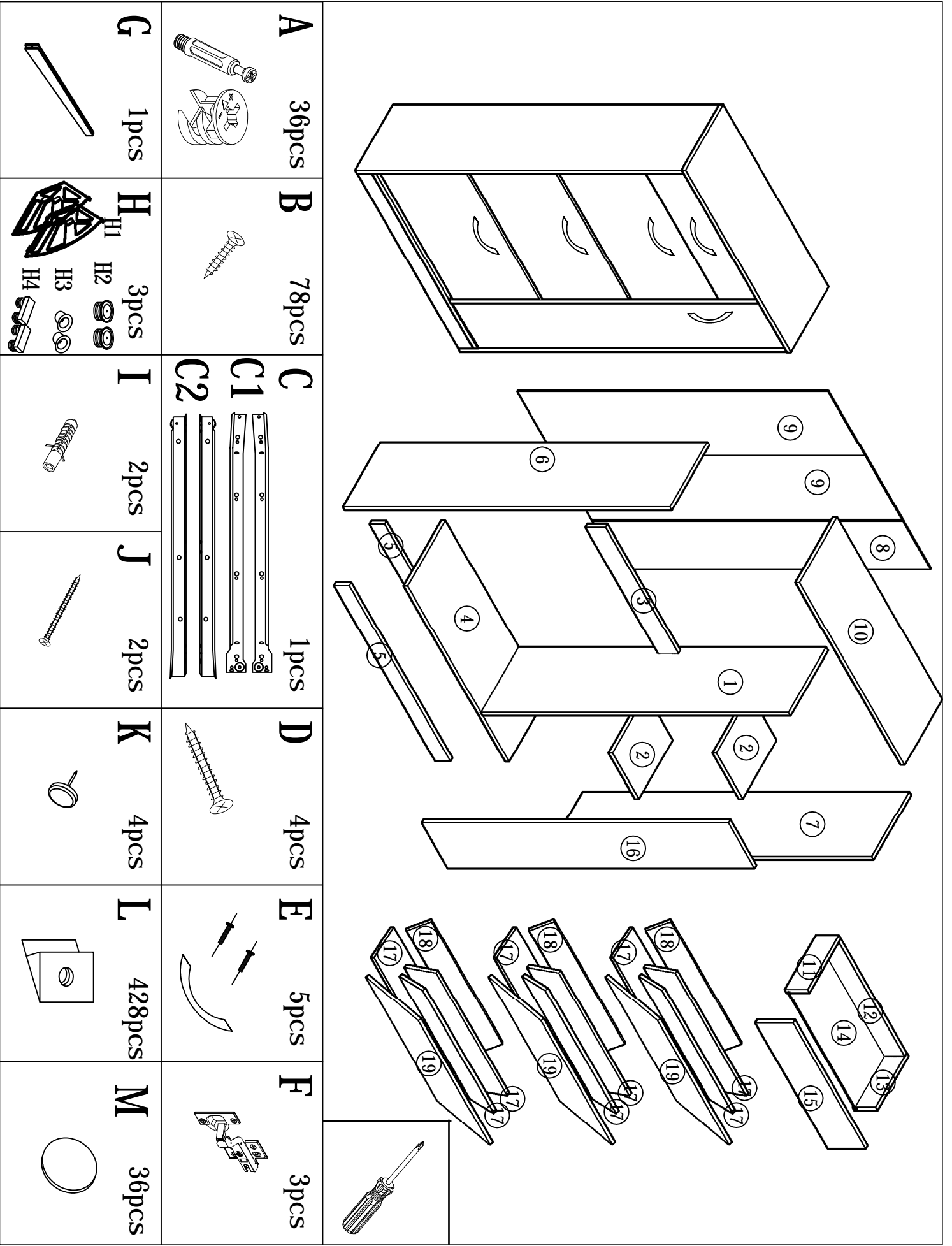


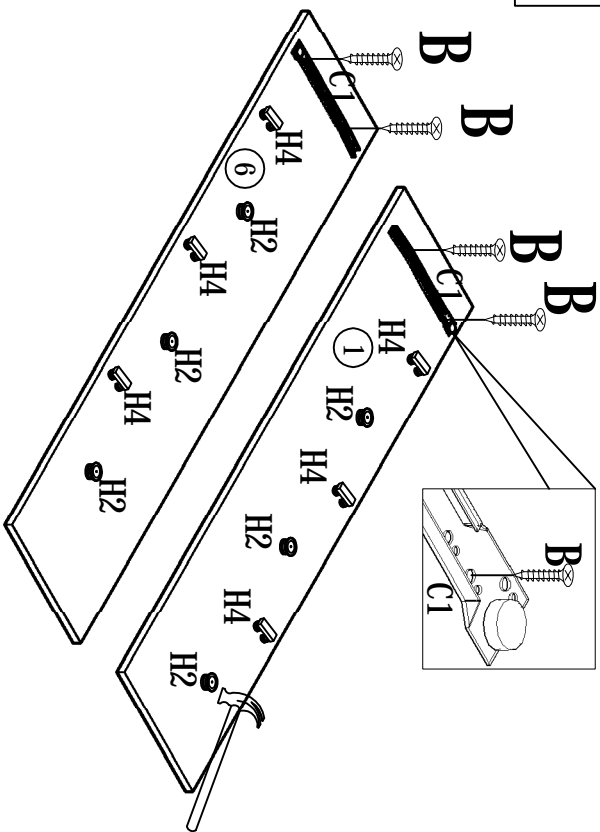
Code : 21985 & 21986



⚠ Warning Warning - Any furniture that is not anchored to a wall has the potential to tip over in certain circumstances, ie if a child attempts to climb up on the furniture or in the event of an earthquake. Accordingly, we recommend that all furniture is anchored to a wall. We supply a free safety wall anchor with all furniture sold and we recommend these are used to prevent your product tipping. See our blog here for more info on using wall anchors.

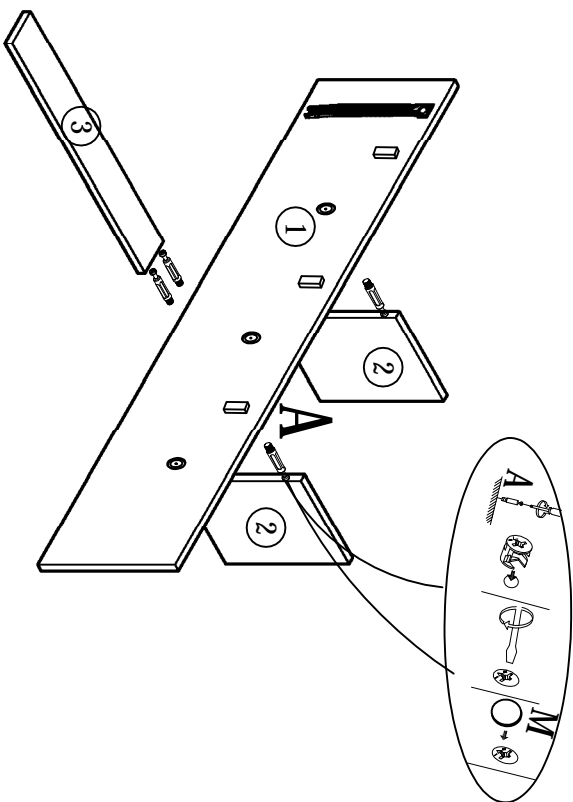


1



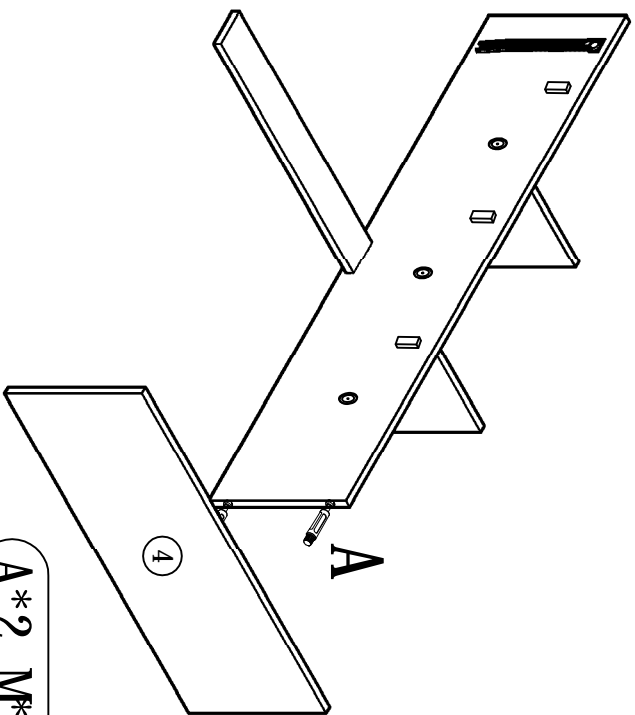
Bx4 C1*2 H2*6 H4*6

2



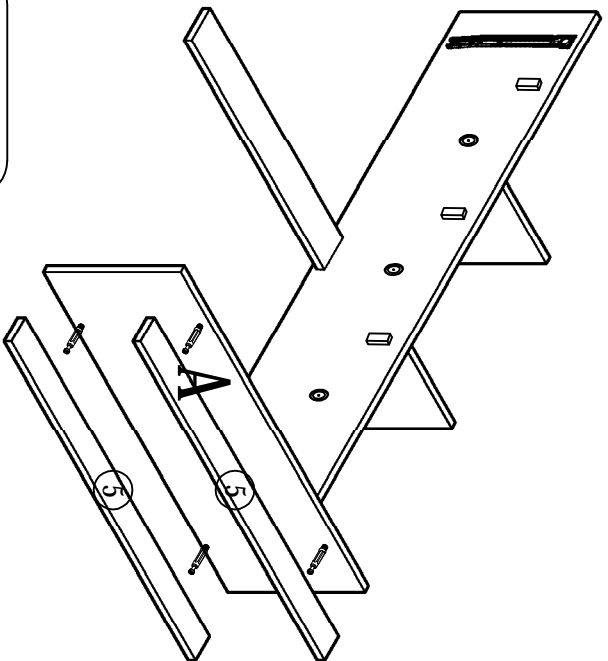
A*6 M*6

3



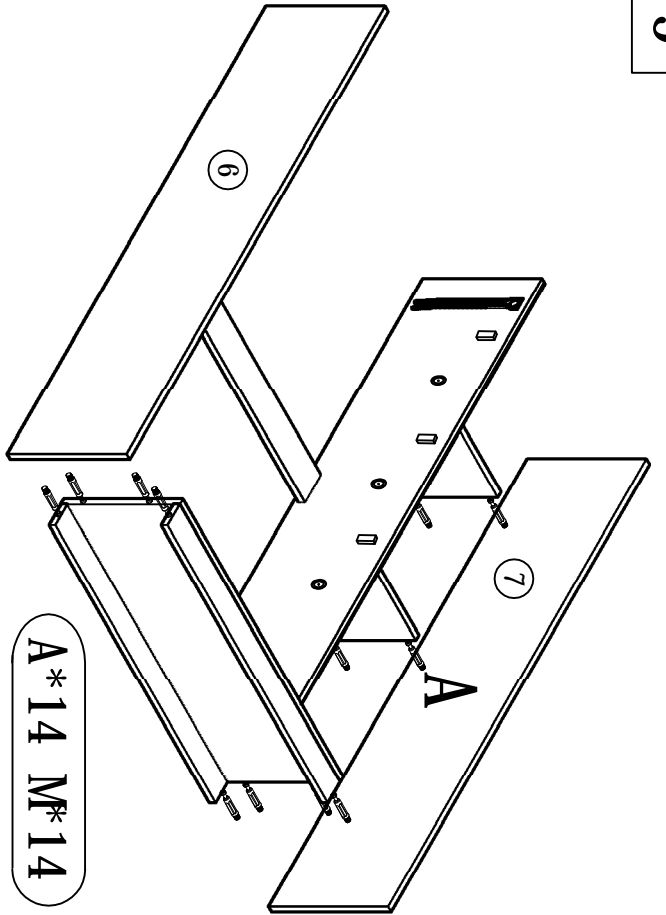
A*2 M*2

4



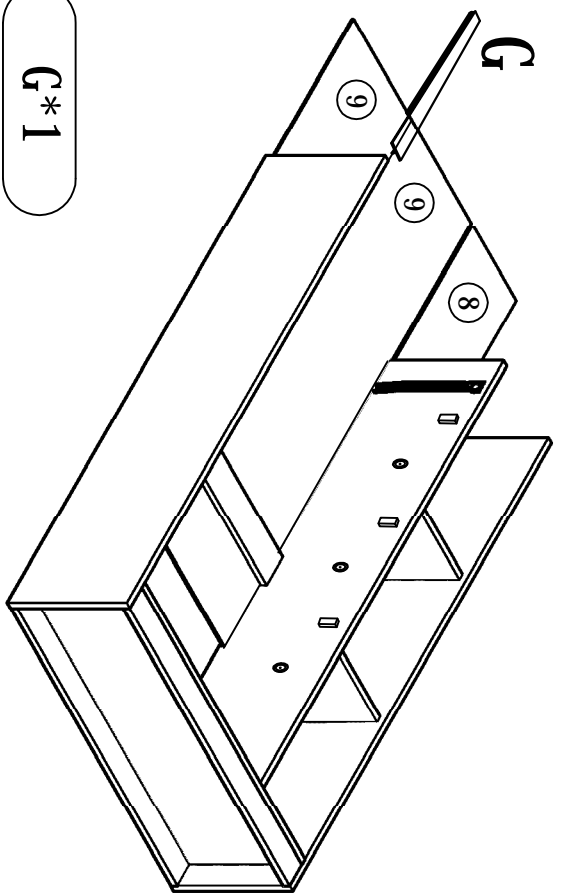
A*4 M*4

5



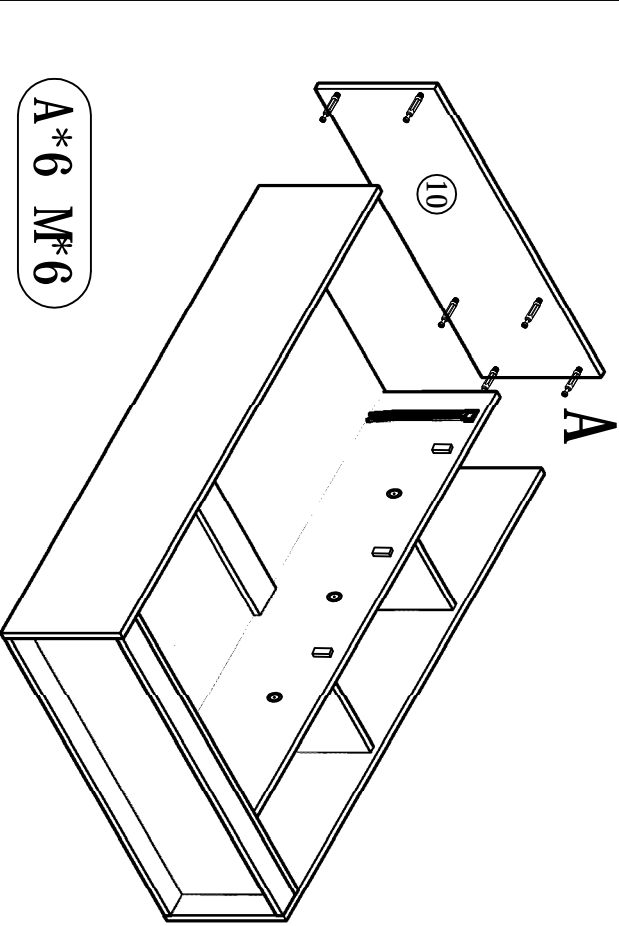
A*14 M*14

6



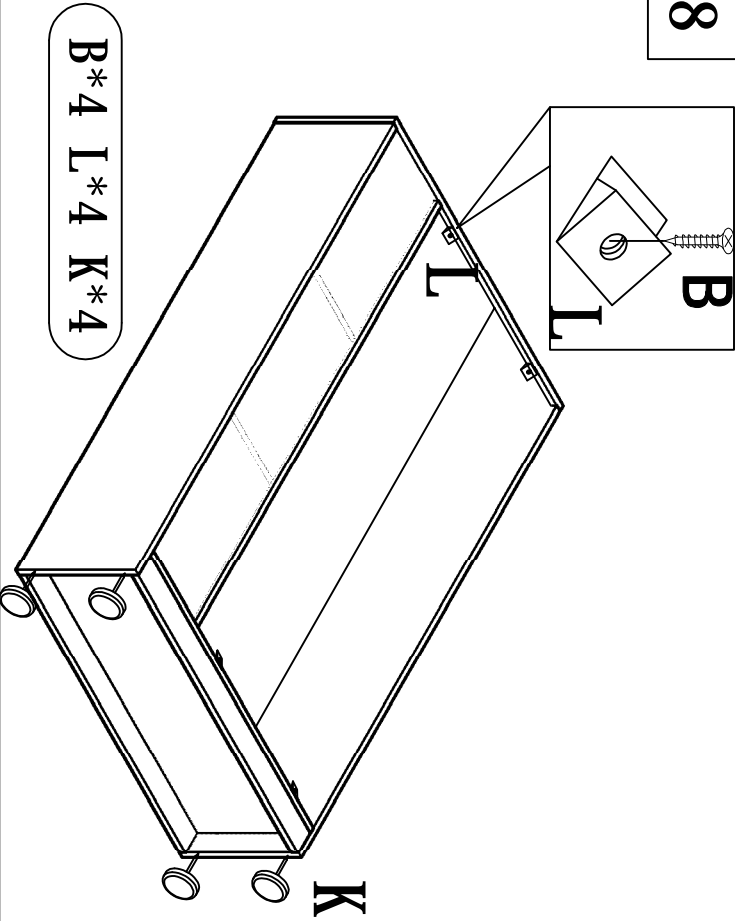
G*1

7



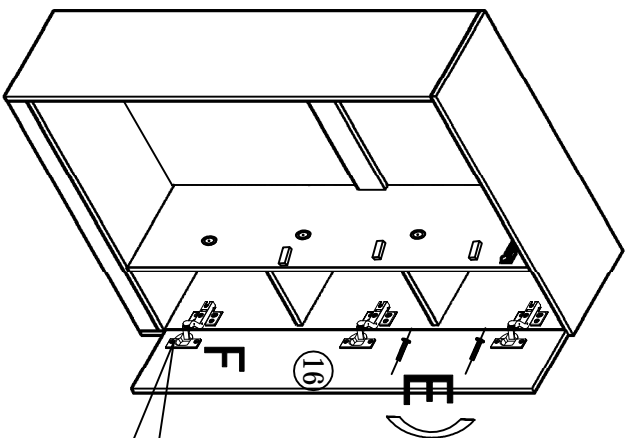
A*6 M*6

8

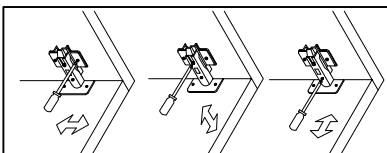


B*4 L*4 K*4

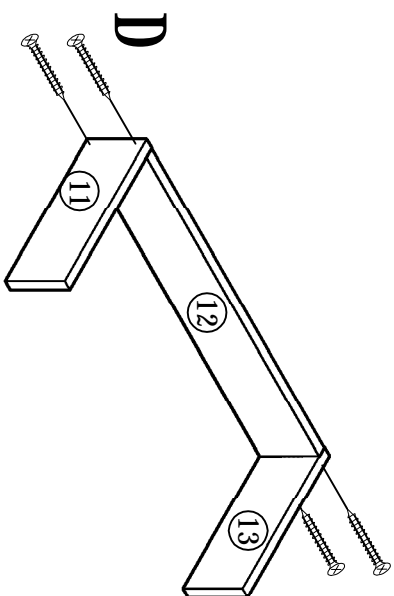
9



B*18 E*1 F*3

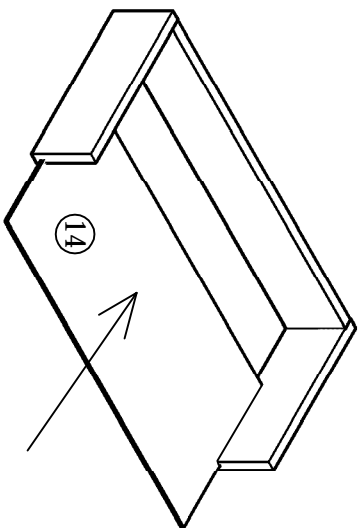


10

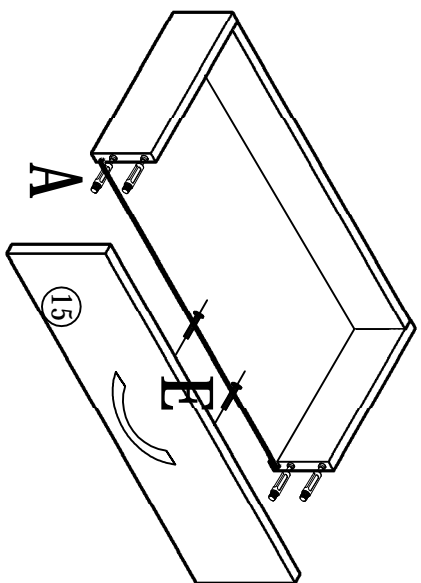


D*4

11

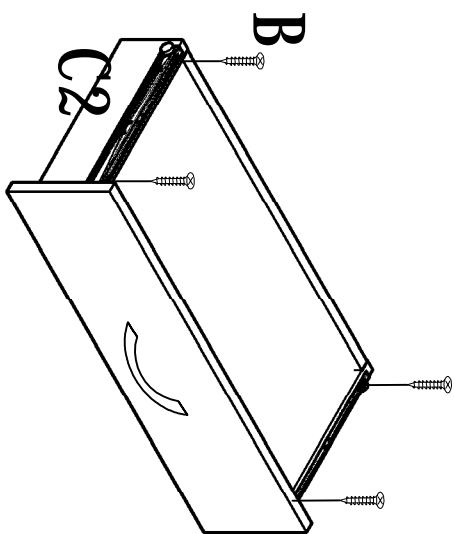


12



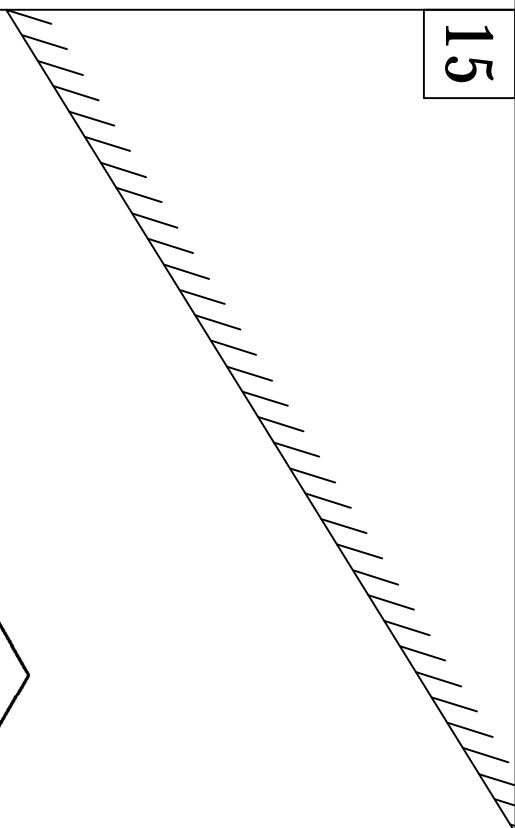
A*4 E*1 M*4

13

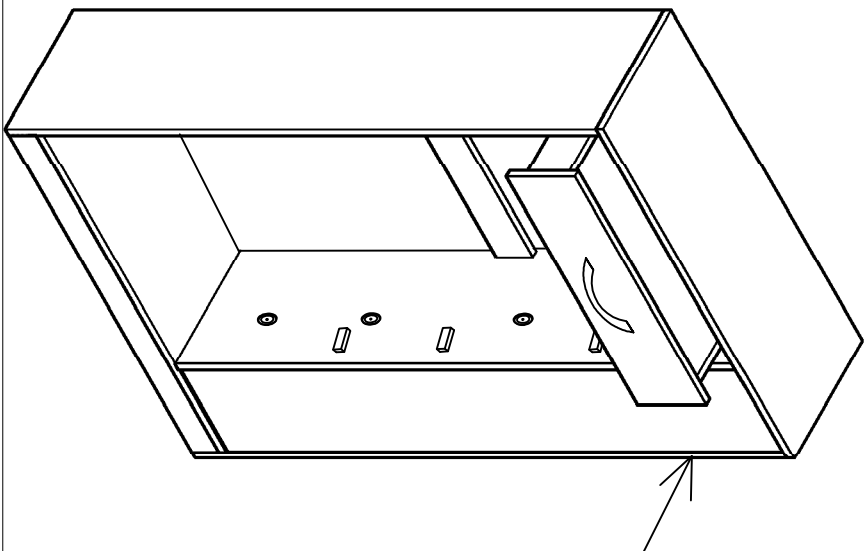


B*4 C2*2

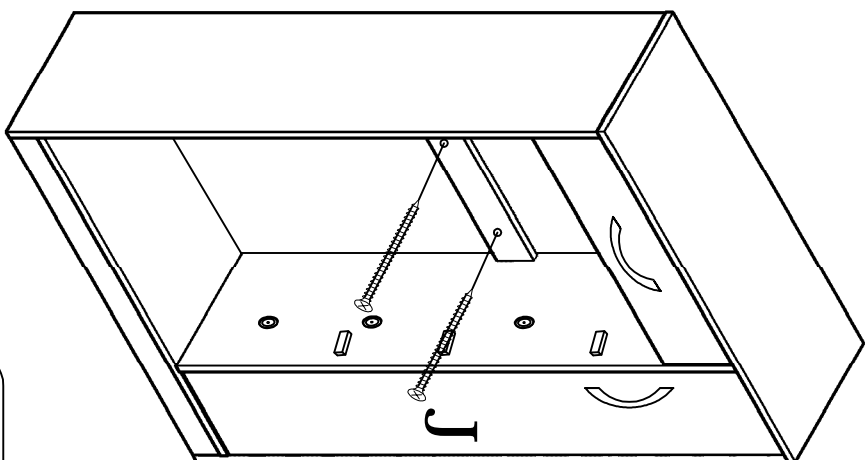
15

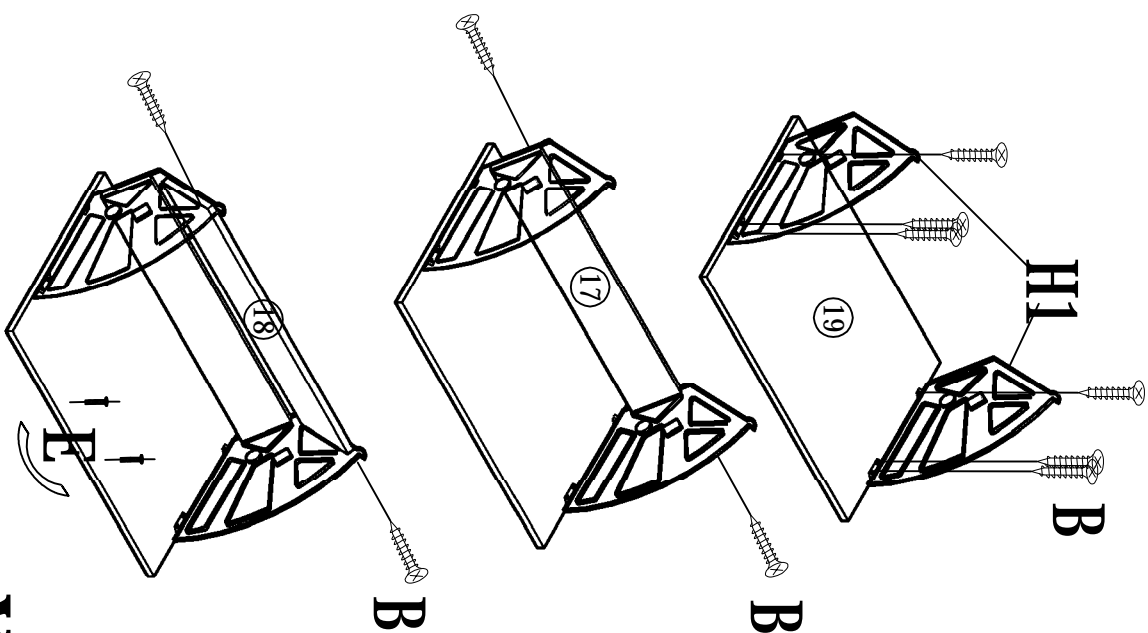


14



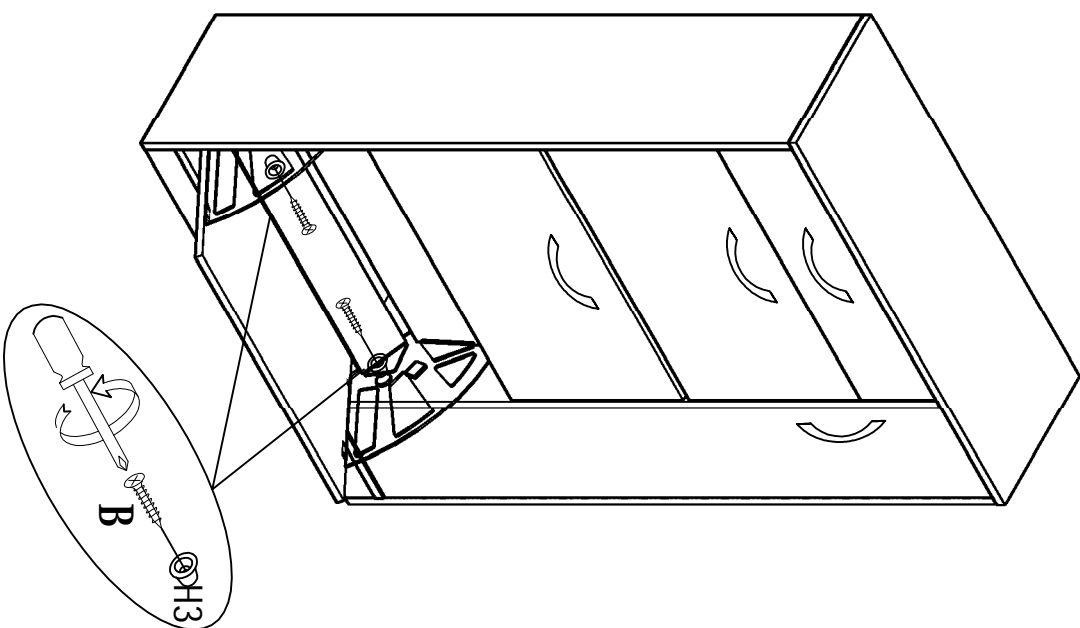
I*2 J*2



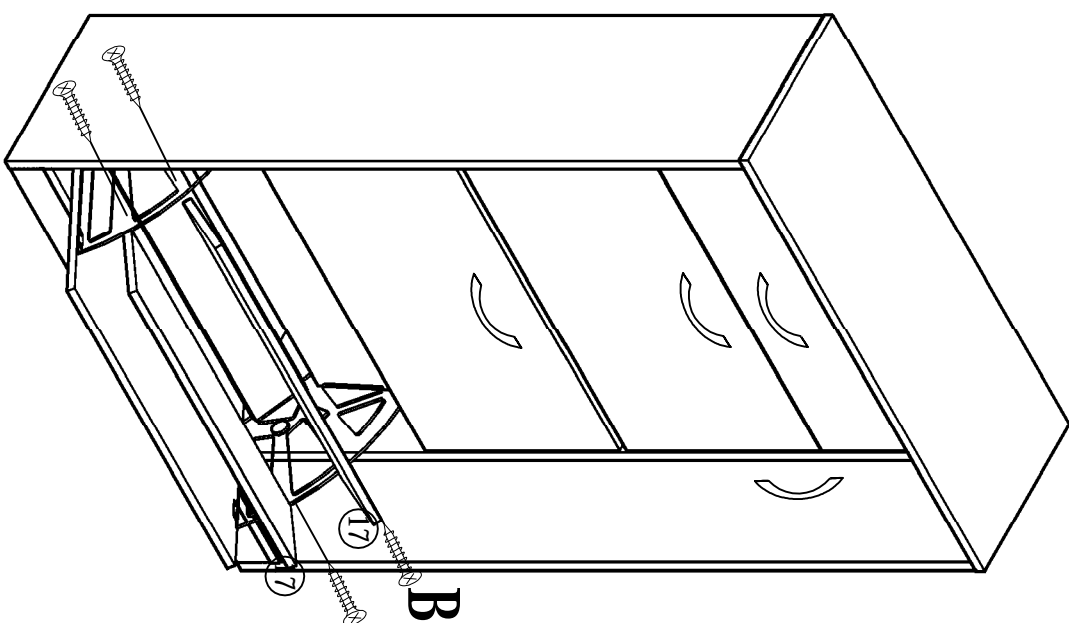


X3

B*10 E*1 H1*1



B*6 H3*6



B*12