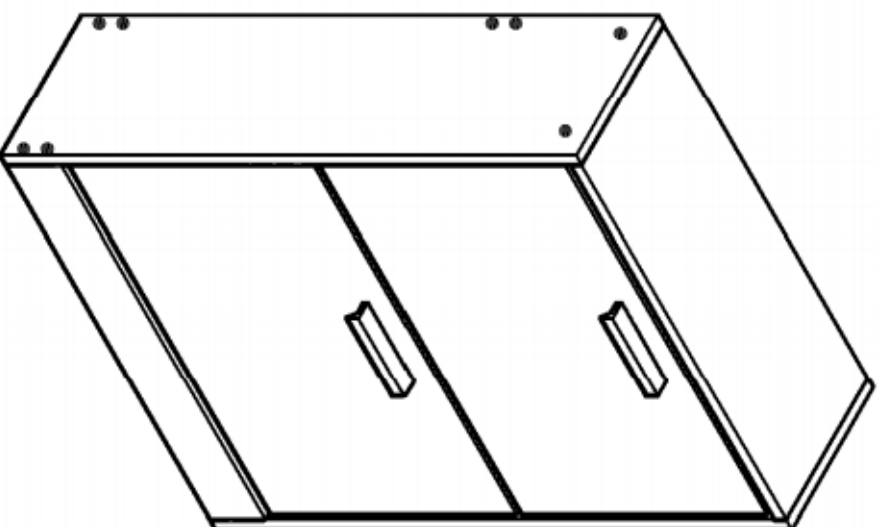
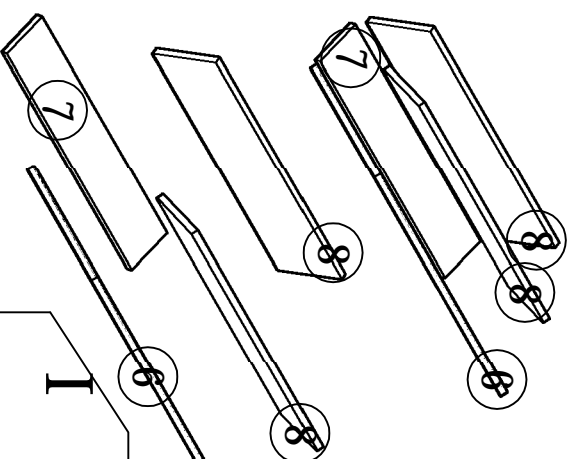
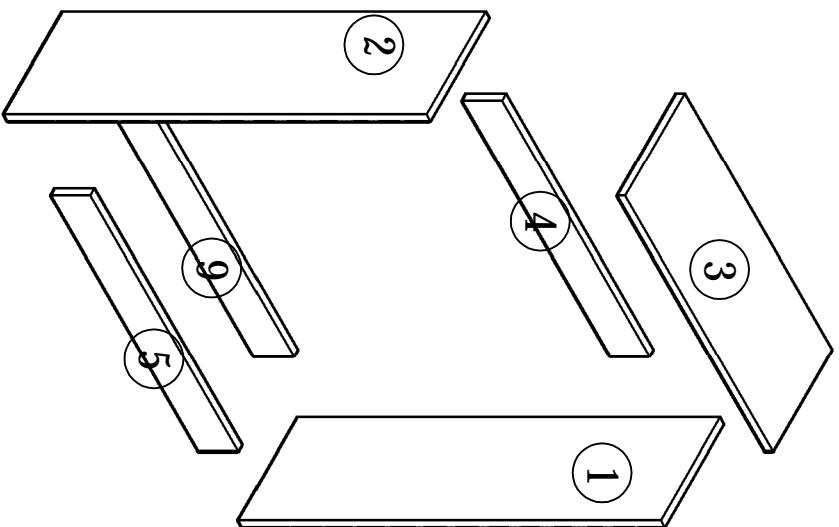
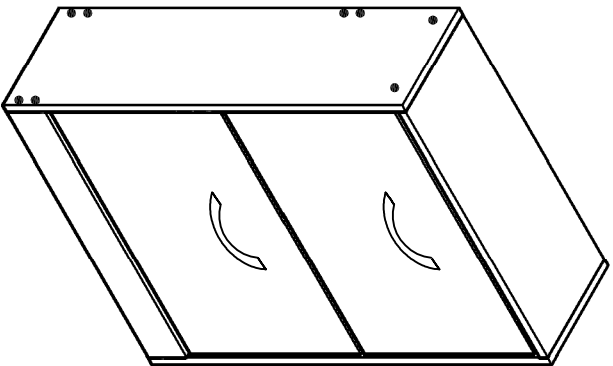


Code : 21886



**⚠** Warning Warning - Any furniture that is not anchored to a wall has the potential to tip over in certain circumstances, ie if a child attempts to climb up on the furniture or in the event of an earthquake. Accordingly, we recommend that all furniture is anchored to a wall. We supply a free safety wall anchor with all furniture sold and we recommend these are used to prevent your product tipping. See our blog here for more info on using wall anchors.

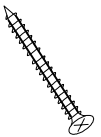


I

2pcs

**A**

16pcs



35\*3.5

**B**

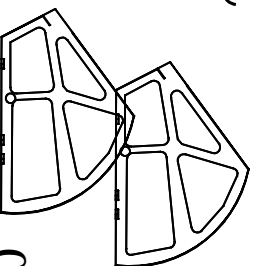
28pcs



14\*3.5

**C**

2pcs



C1 C2 C3

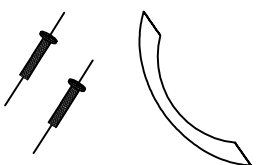
**D**

16pcs



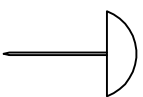
**E**

2pcs



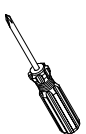
**F**

4pcs



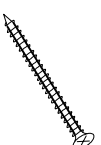
**G**

1pcs



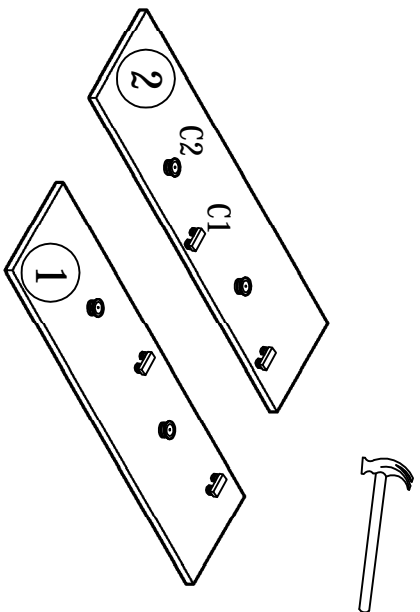
**H**

2pcs



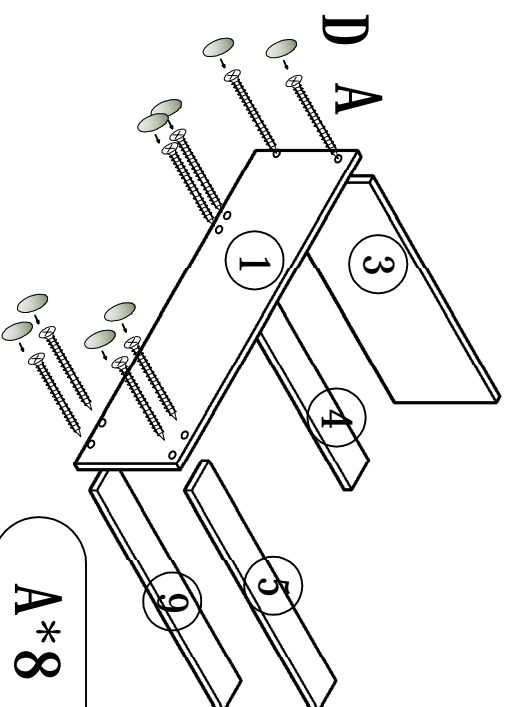
40\*3.5

1



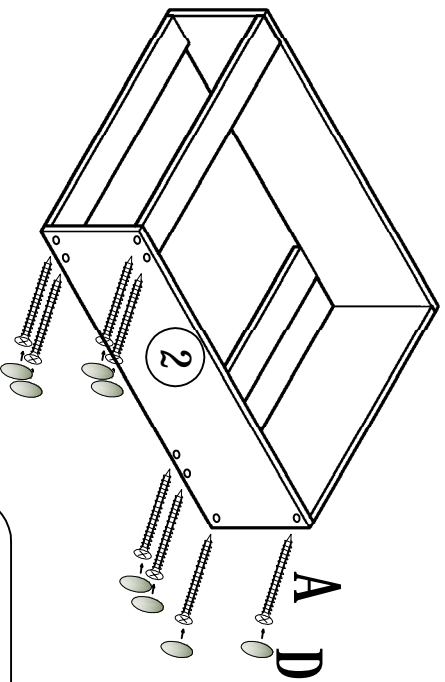
C1\*6 C2\*6

2



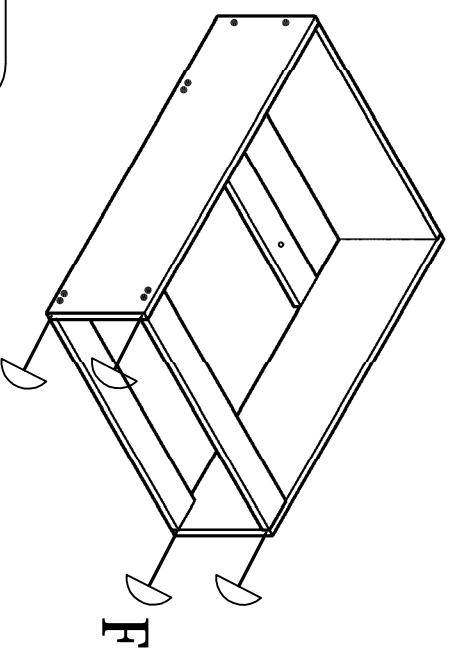
A\*8 D\*8

3



A\*8 D\*8

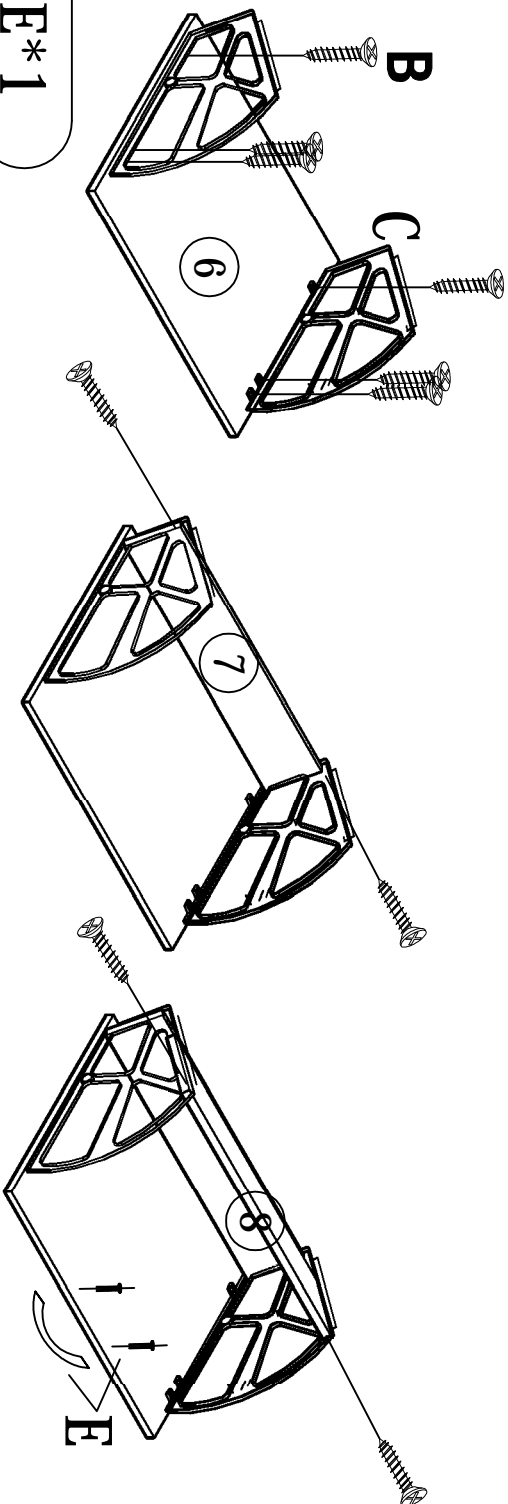
4



F\*4

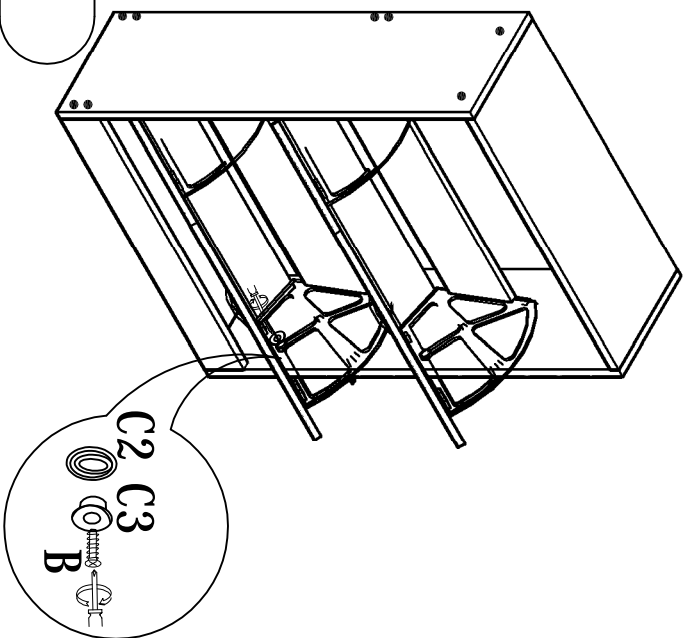
5

C\*1 B\*10 E\*1

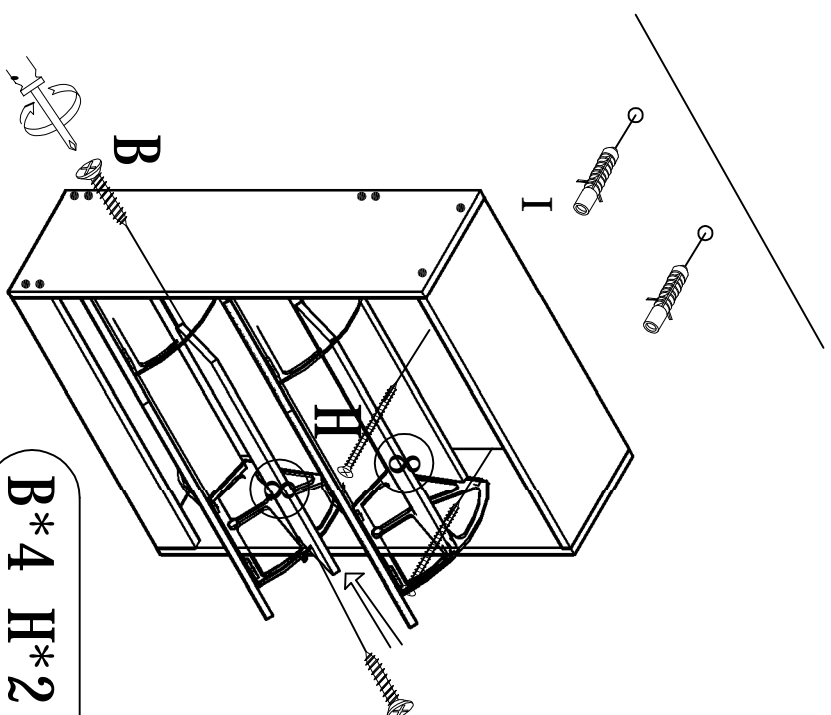


6

C3\*4 B\*4



7



B\*4 H\*2 I\*2