

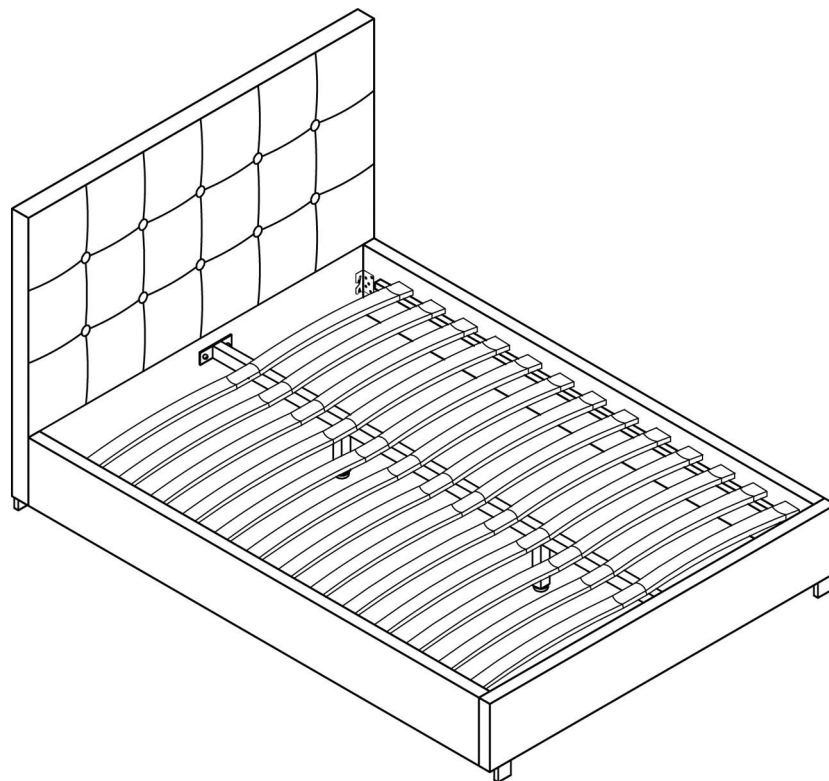
Fabric Upholstered Slat Bed Frame

Code: 21776

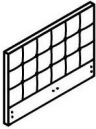
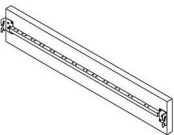
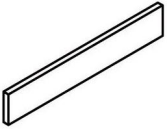

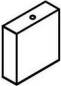
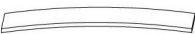

Assembly Instructions

Thank you for your purchase.

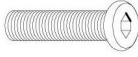
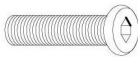







Please follow the instructions below for correct assembly.



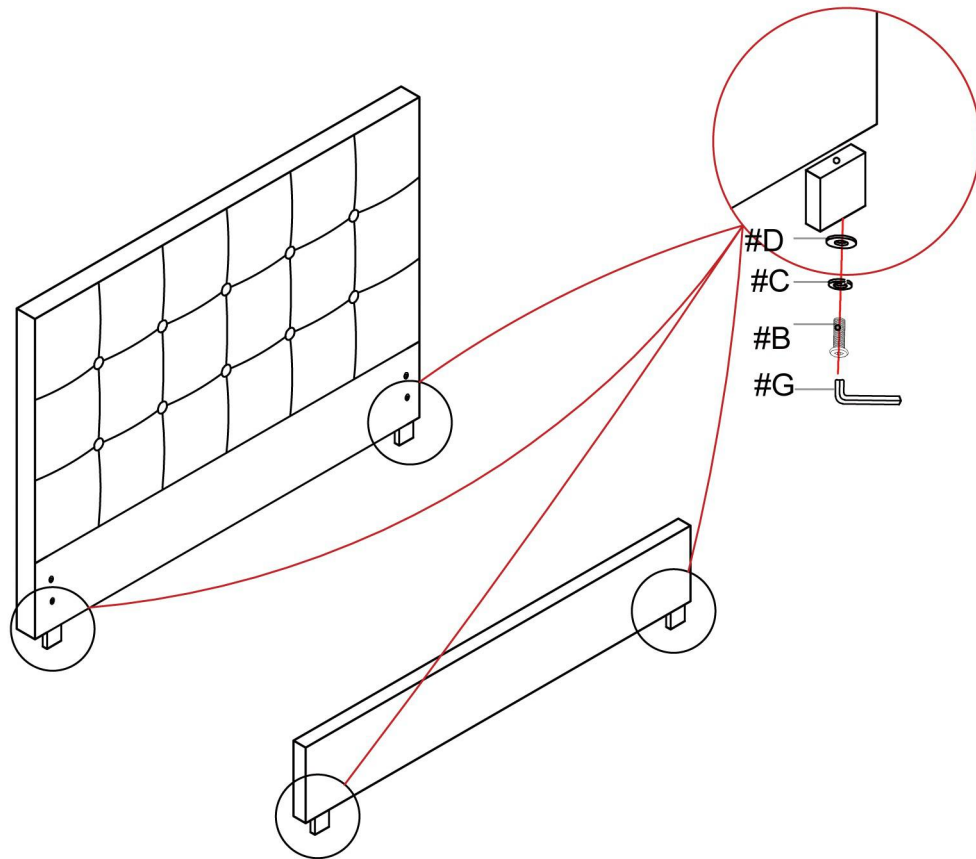
Parts List

	#1 x 1pc Headboard
	#2 x 2pcs Side Rail
	#3 x 1pc Foot Board
	#4 x 1pc Center Support Rail
	#5 x 4pcs HB/FB Leg
	#6 x 24pcs Slat
	#7 x 2pcs Center Support Rail Leg

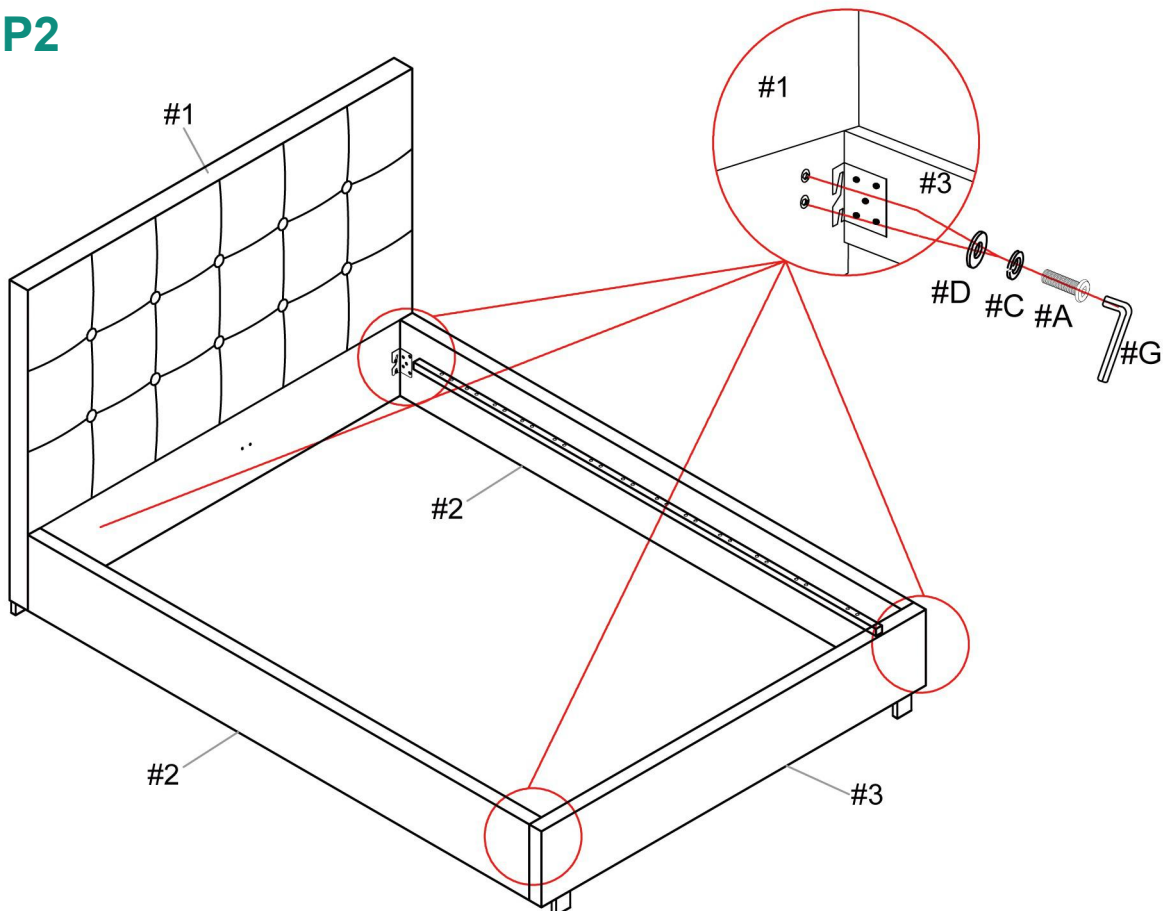
Hardware List

	#A x 16pcs Bolt Ø5/16"X1-1/2"
	#B x 4pcs Bolt Ø5/16"X3"
	#C x 20pcs Lock Washer
	#D x 20pcs Flat Washer
	#E x 12pcs Center Connector
	#F x 24pcs End Cap
	#G x 1pc Allen Wrench M5
	#H x 1pc Wrench
	#I x 4pcs Hex Nut

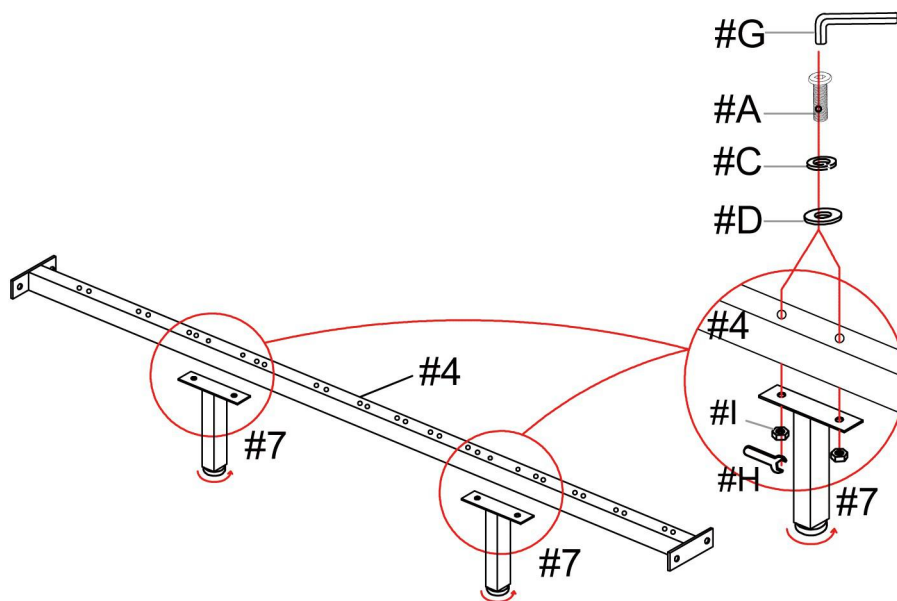
STEP1



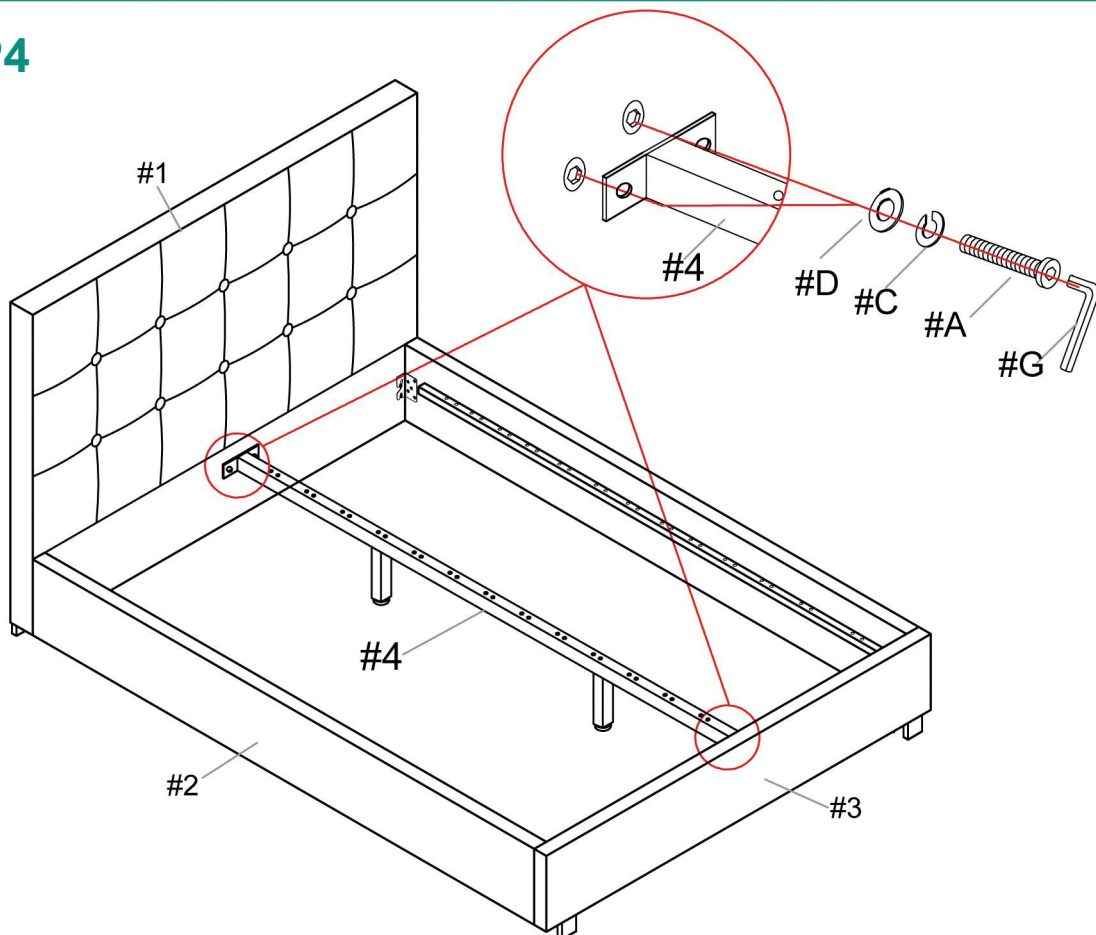
STEP2



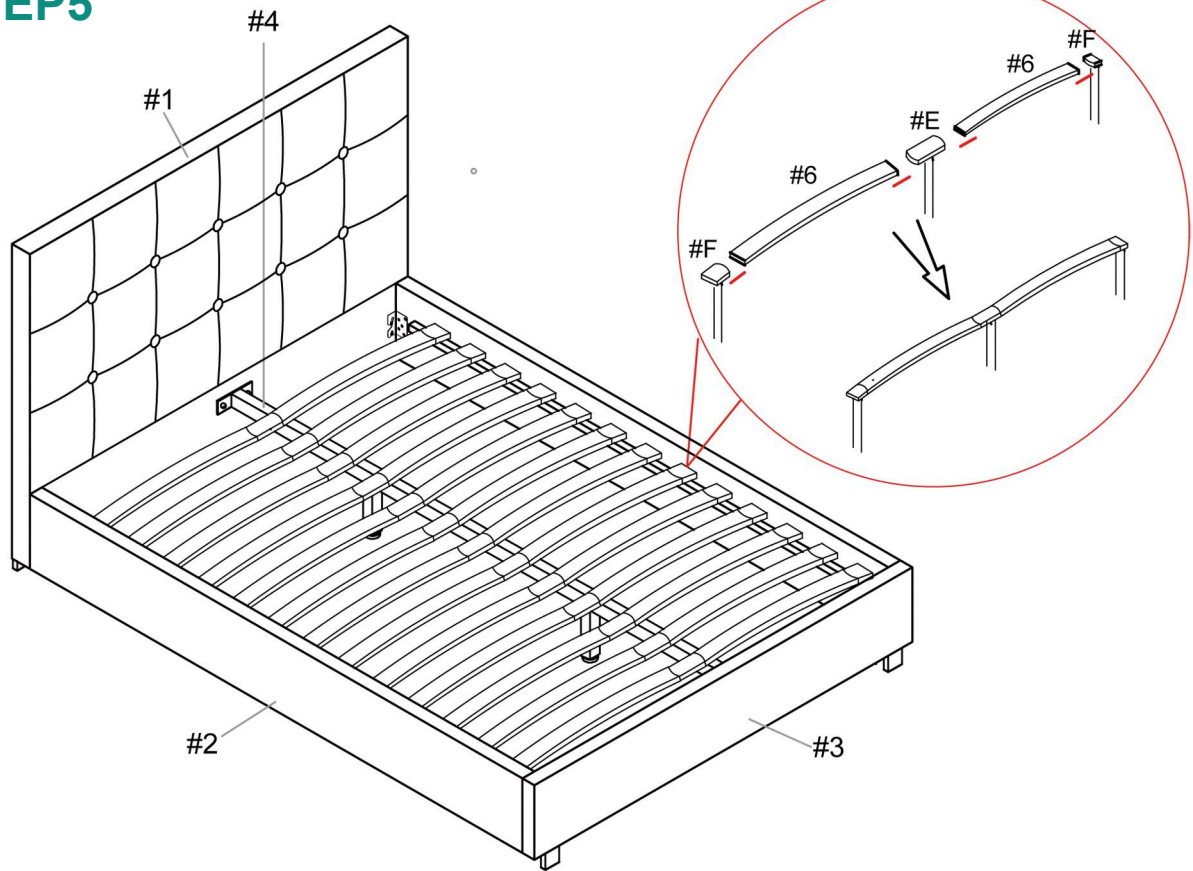
STEP 3



STEP 4



STEP 5



STEP 6

